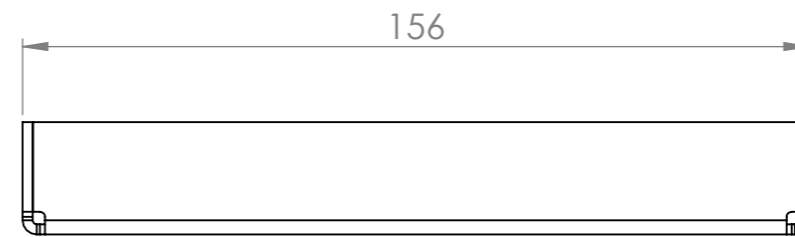
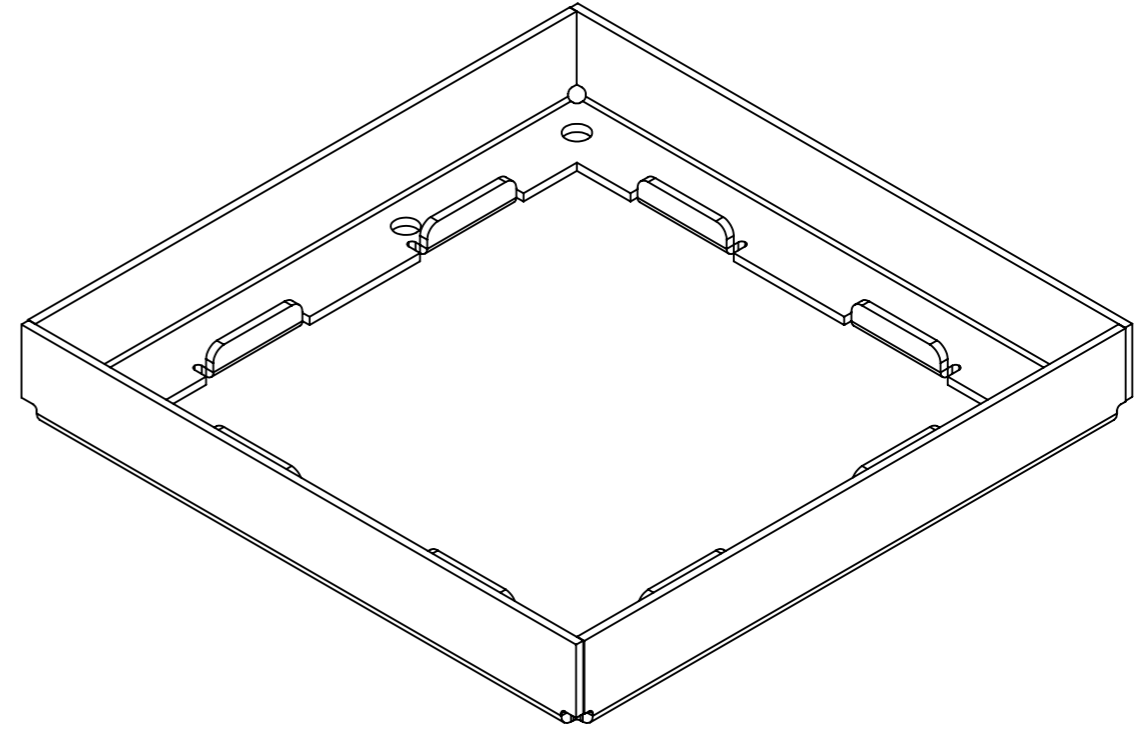
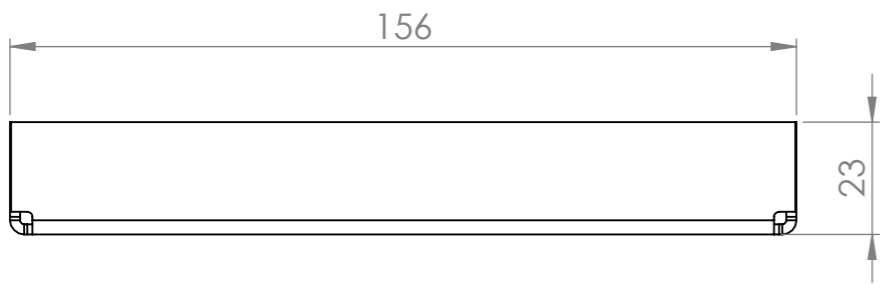
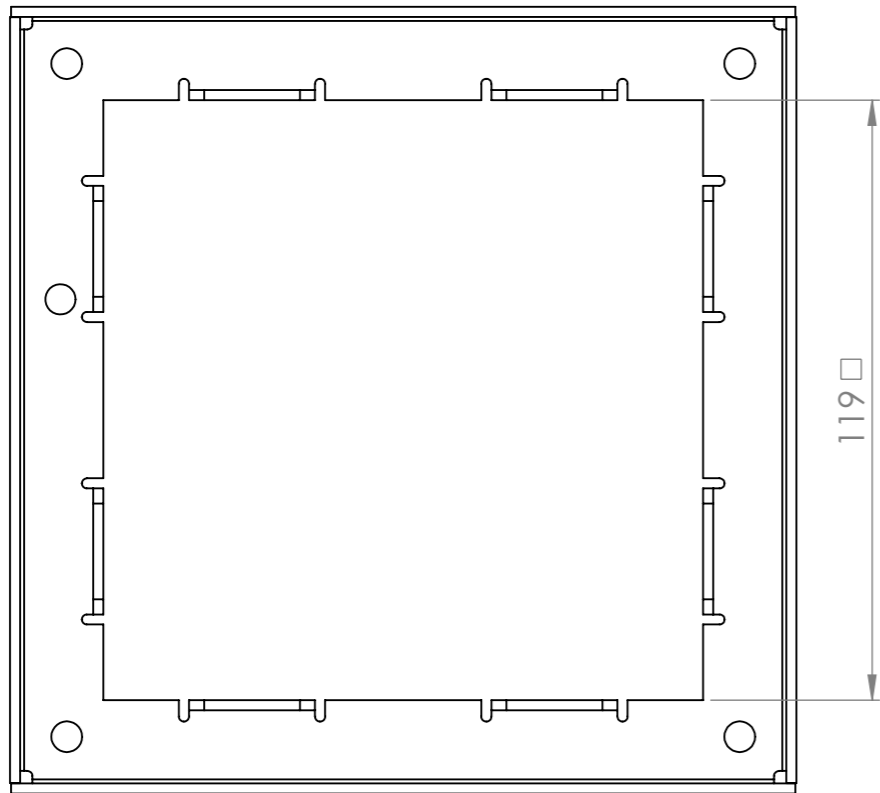
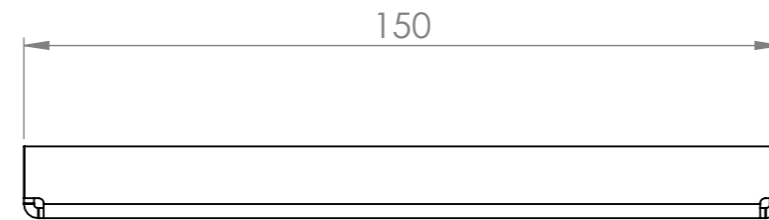
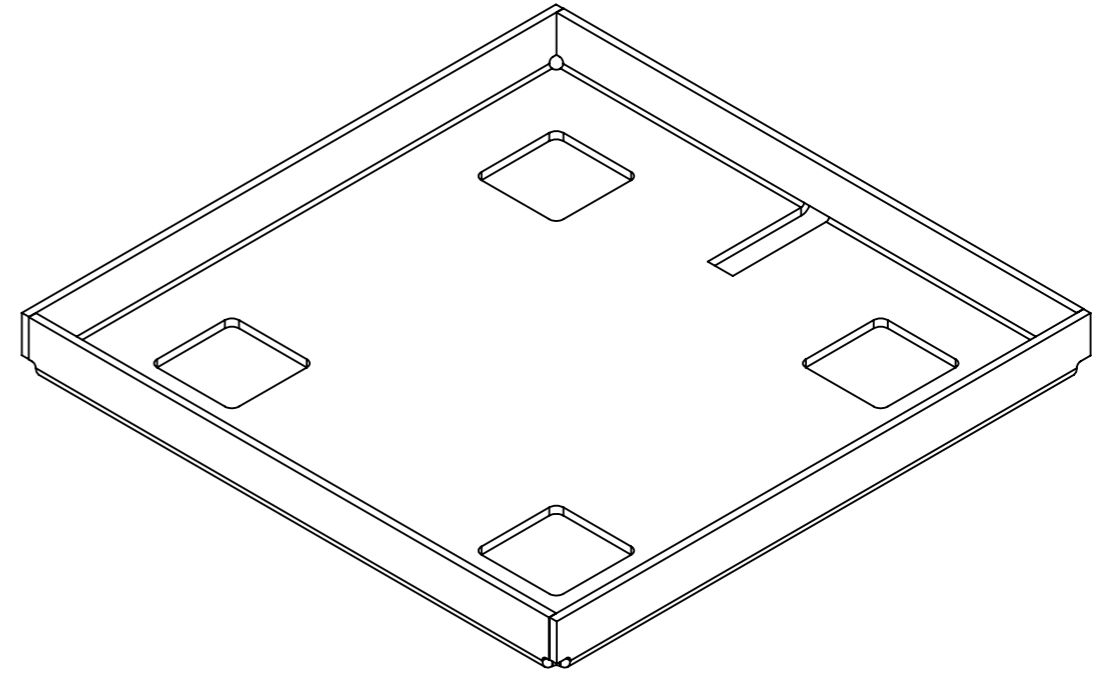
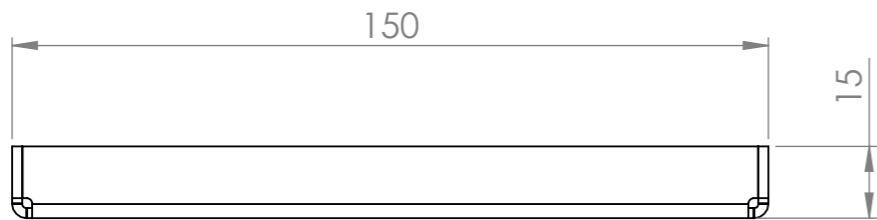
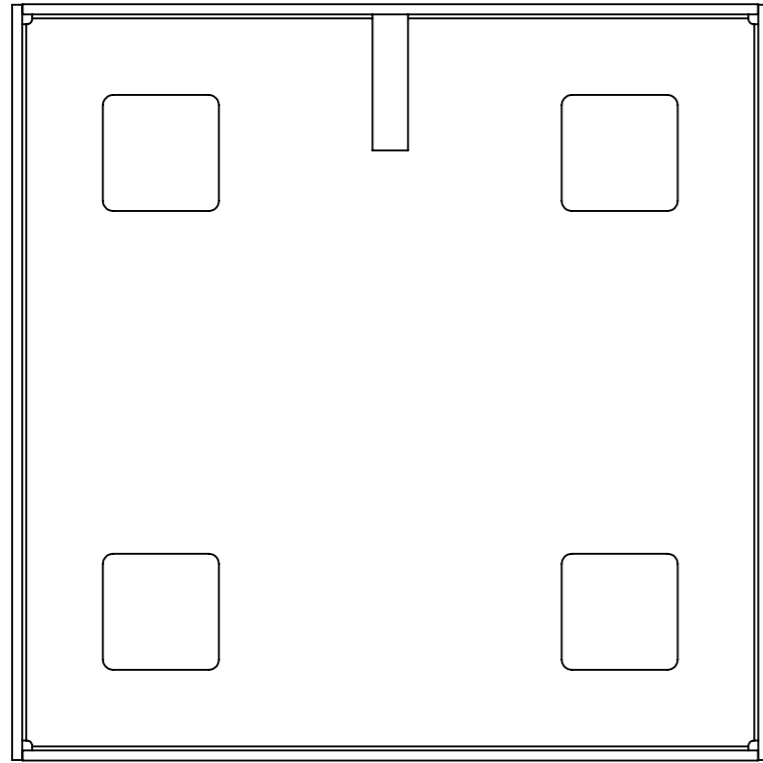


<p style="text-align: center;">Skimmer Lids 26 Link Drive YATALA QLD 4207</p>				DO NOT SCALE DRAWING		REVISION		
	NAME	SIGNATURE	DATE			TITLE:		
DRAWN	M.P.J.		4/10/2024					
CHK'D								
APPV'D								
MFG								
Q.A				MATERIAL:		DWG NO:	HAC 156 x 10 Mk3 kit	A3
				WEIGHT:		SCALE:2:3		
						SHEET 1 OF 3		



Skimmer Lids 26 Link Drive YATALA QLD 4207				DO NOT SCALE DRAWING		REVISION	
DRAWN	NAME	SIGNATURE	DATE	TITLE:			
	M.P.J.		4/10/2024				
CHK'D							
APPV'D							
MFG							
Q.A				MATERIAL:	DWG NO:		
					HAC 156 x 10 Mk3 kit		A3
				WEIGHT:	SCALE:2:3	SHEET 2 OF 3	



Skimmer Lids 26 Link Drive YATALA QLD 4207				DO NOT SCALE DRAWING		REVISION	
DRAWN	NAME	SIGNATURE	DATE		TITLE:		
	M.P.J.		4/10/2024				
CHK'D							
APPV'D							
MFG							
Q.A				MATERIAL:	DWG NO:		
					HAC 156 x 10 Mk3 kit		A3
				WEIGHT:	SCALE:2:3	SHEET 3 OF 3	