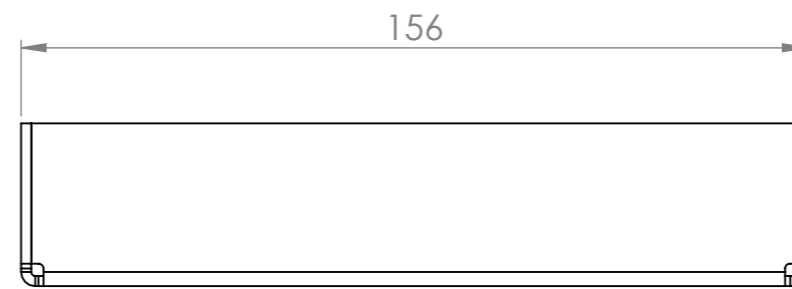
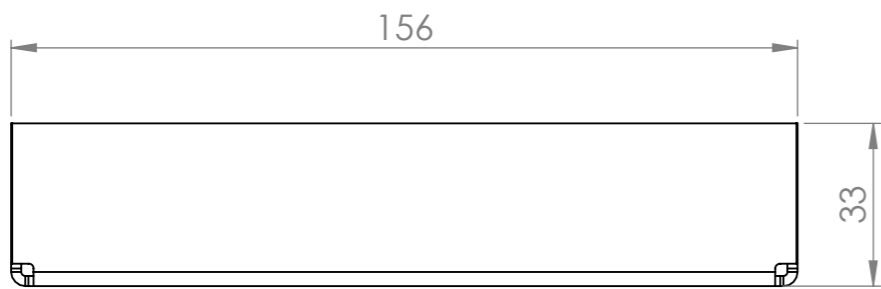
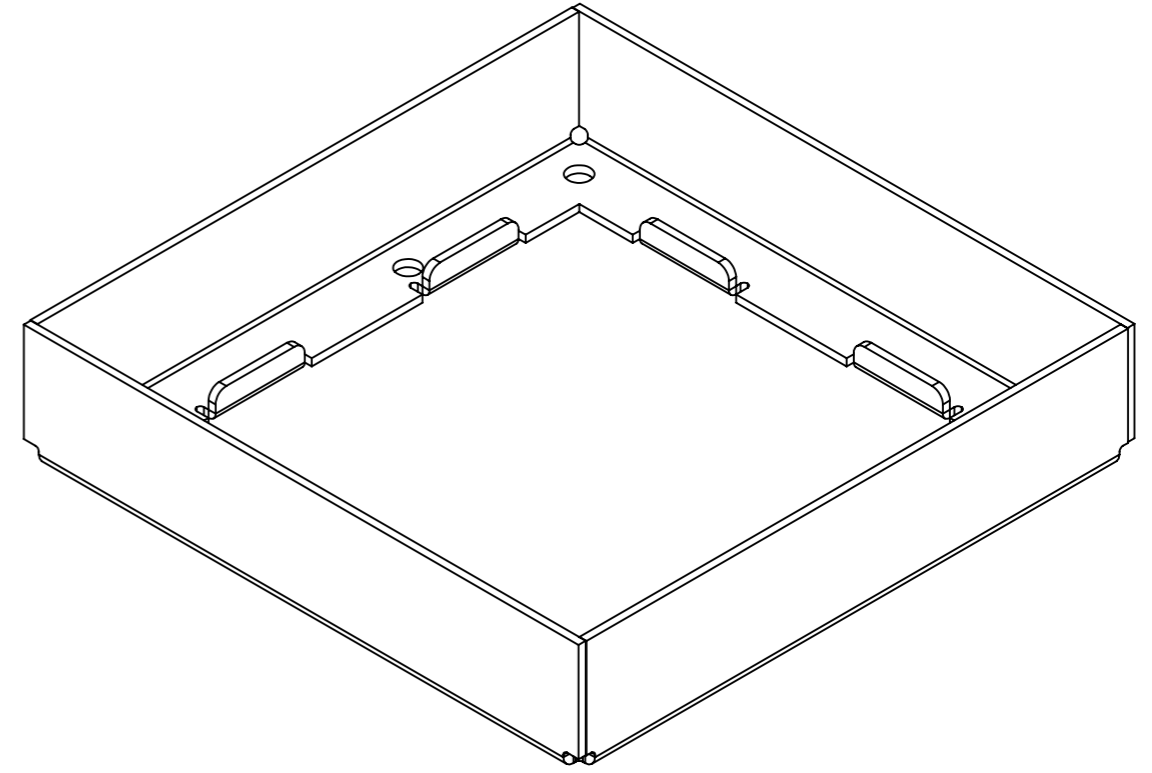
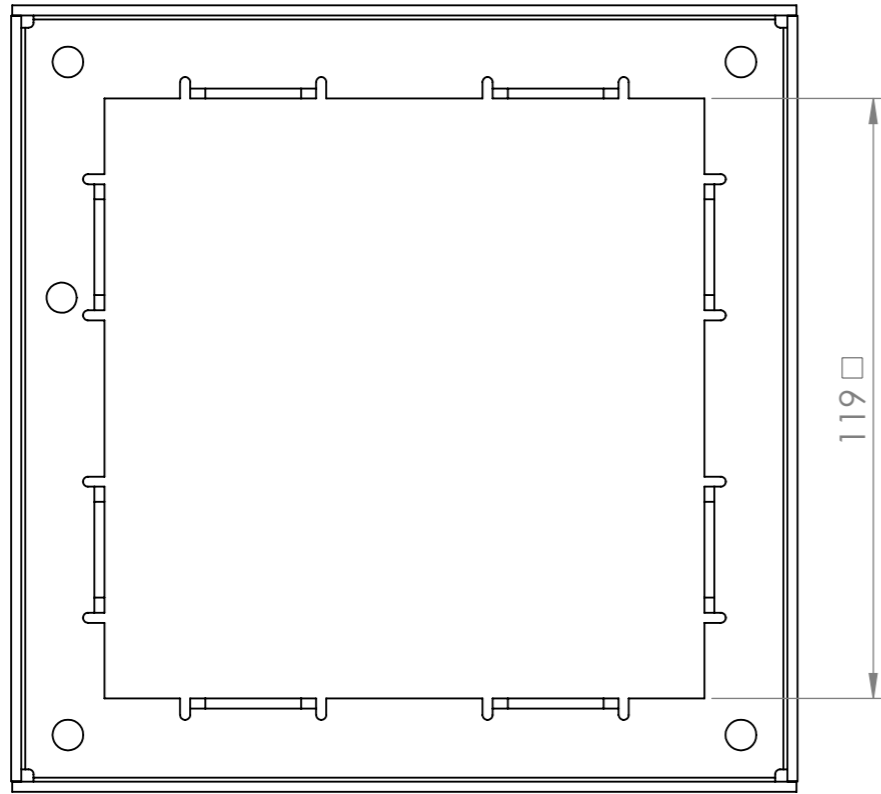
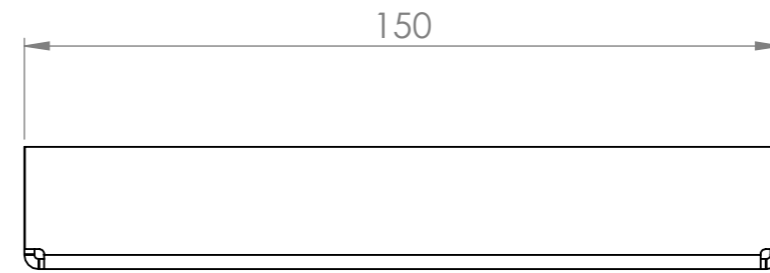
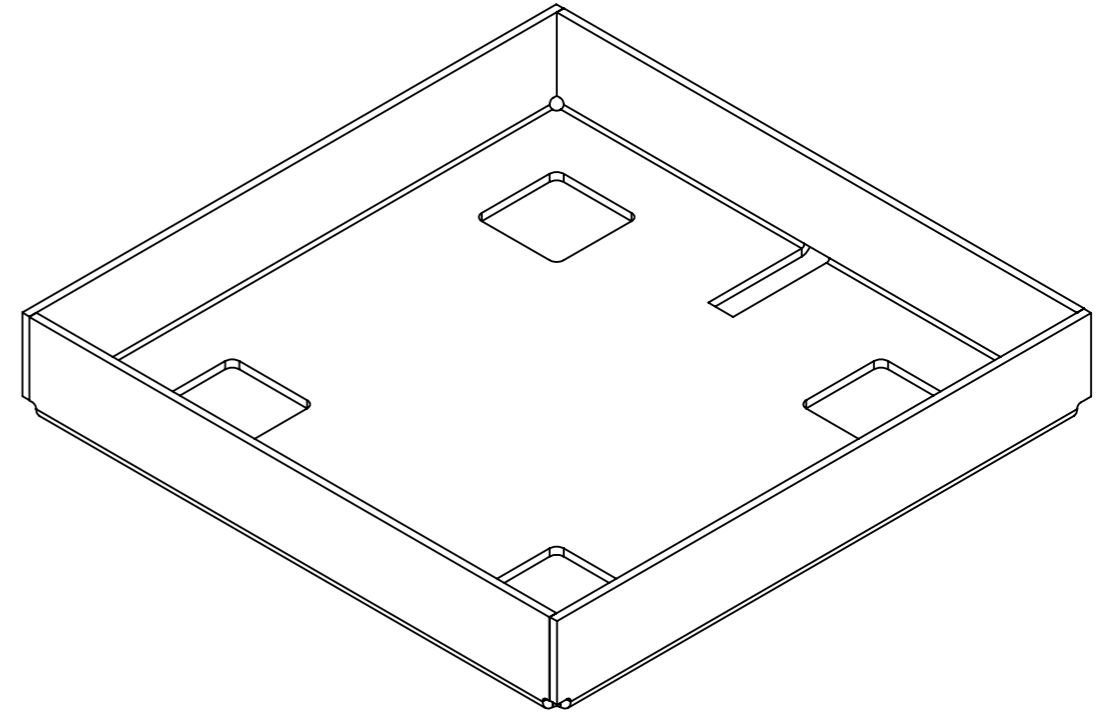
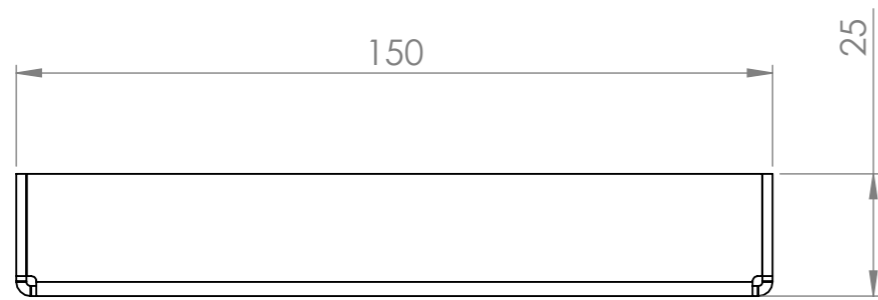
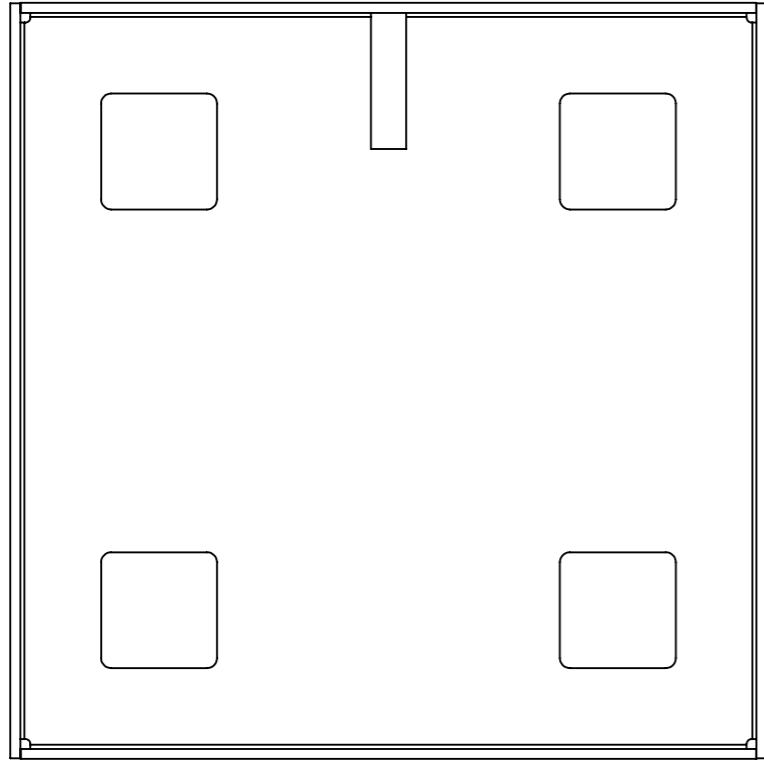


Skimmer Lids 26 Link Drive YATALA QLD 4207				DO NOT SCALE DRAWING		REVISION	
	NAME	SIGNATURE	DATE			TITLE:	
DRAWN	M.P.J.		18/10/2018				
CHK'D							
APPV'D							
MFG							
Q.A				MATERIAL:		DWG NO.	HAC 156 x 20 kit
				WEIGHT:		SCALE:2:3	A3
						SHEET 1 OF 3	



Skimmer Lids 26 Link Drive YATALA QLD 4207					DO NOT SCALE DRAWING	REVISION
DRAWN	NAME	SIGNATURE	DATE		TITLE:	
	M.P.J.		18/10/2018			
CHK'D						
APPV'D						
MFG						
Q.A				MATERIAL:	DWG NO.	HAC 156 x 20 kit
						A3
				WEIGHT:	SCALE:2:3	SHEET 2 OF 3



Skimmer Lids 26 Link Drive YATALA QLD 4207						DO NOT SCALE DRAWING	REVISION
	NAME	SIGNATURE	DATE			TITLE:	
DRAWN	M.P.J.		18/10/2018				
CHK'D							
APPV'D							
MFG							
Q.A					MATERIAL:	DWG NO.	HAC 156 x 20 kit
					WEIGHT:	SCALE:2:3	A3
						SHEET 3 OF 3	