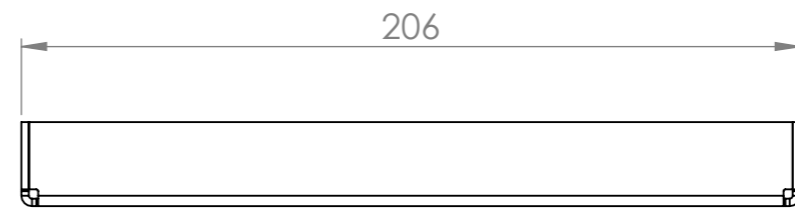
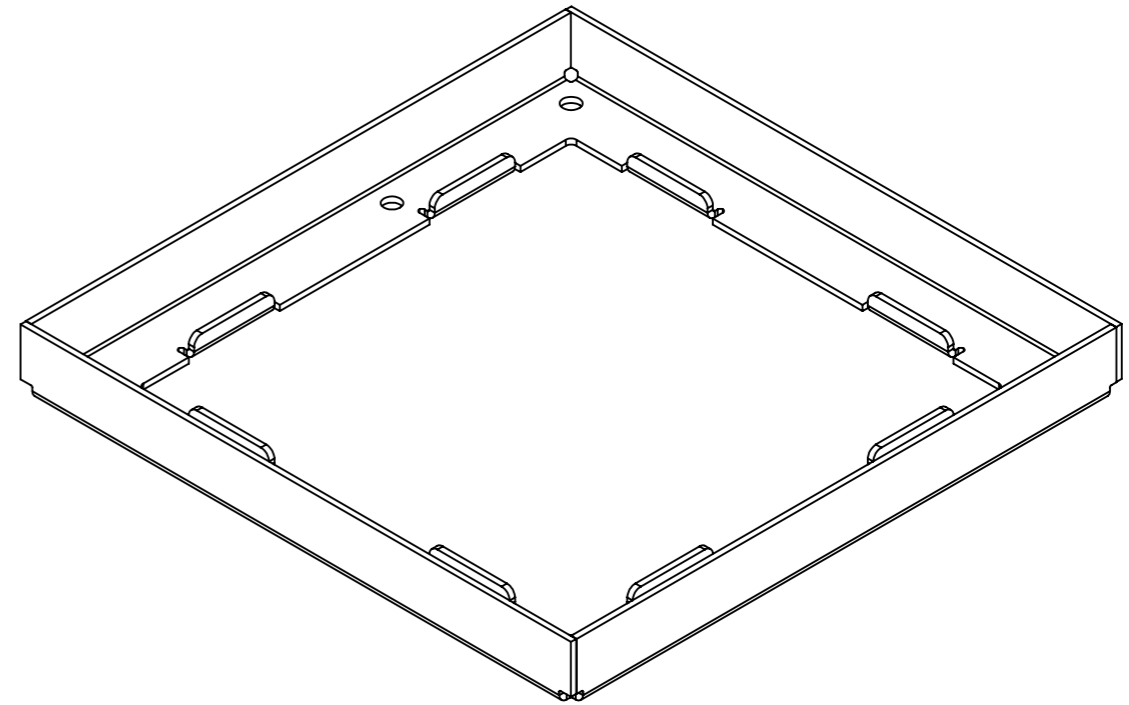
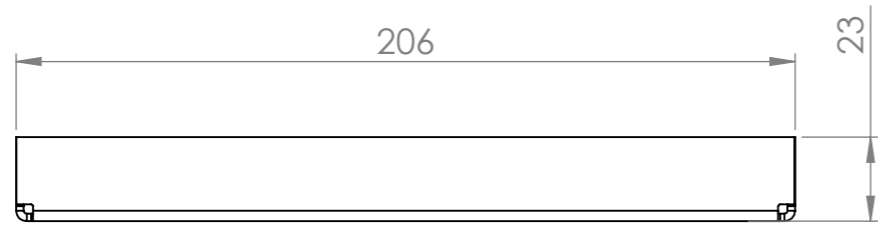
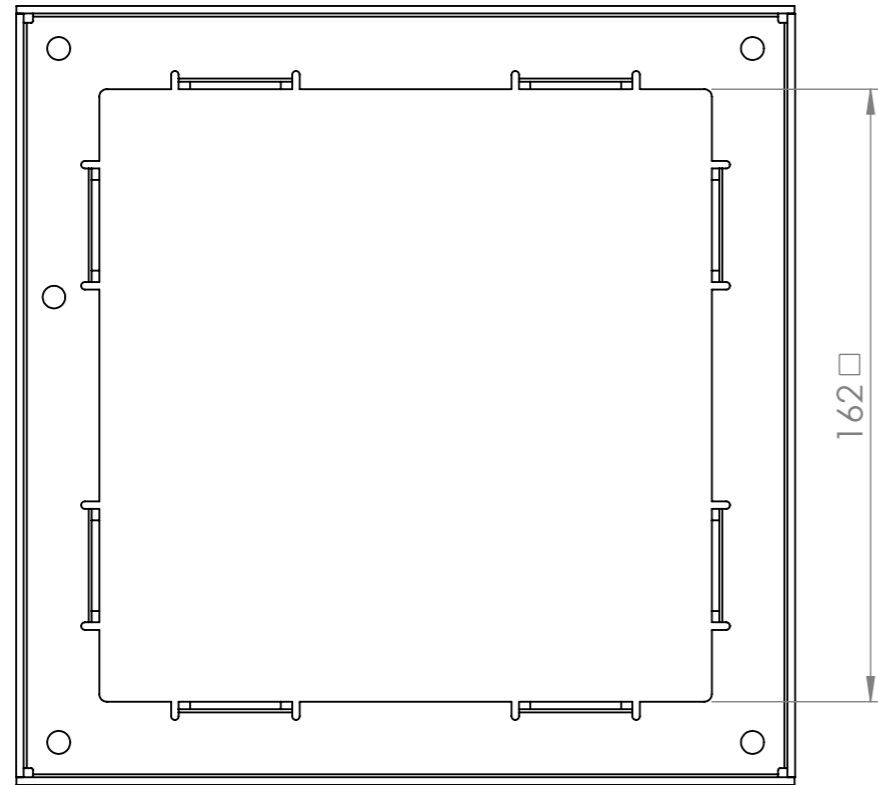
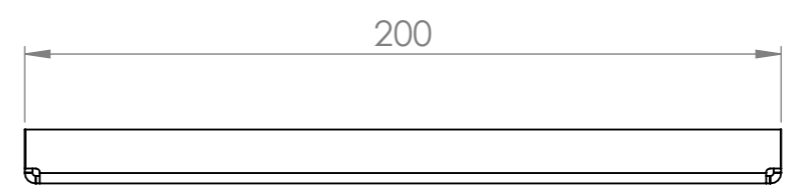
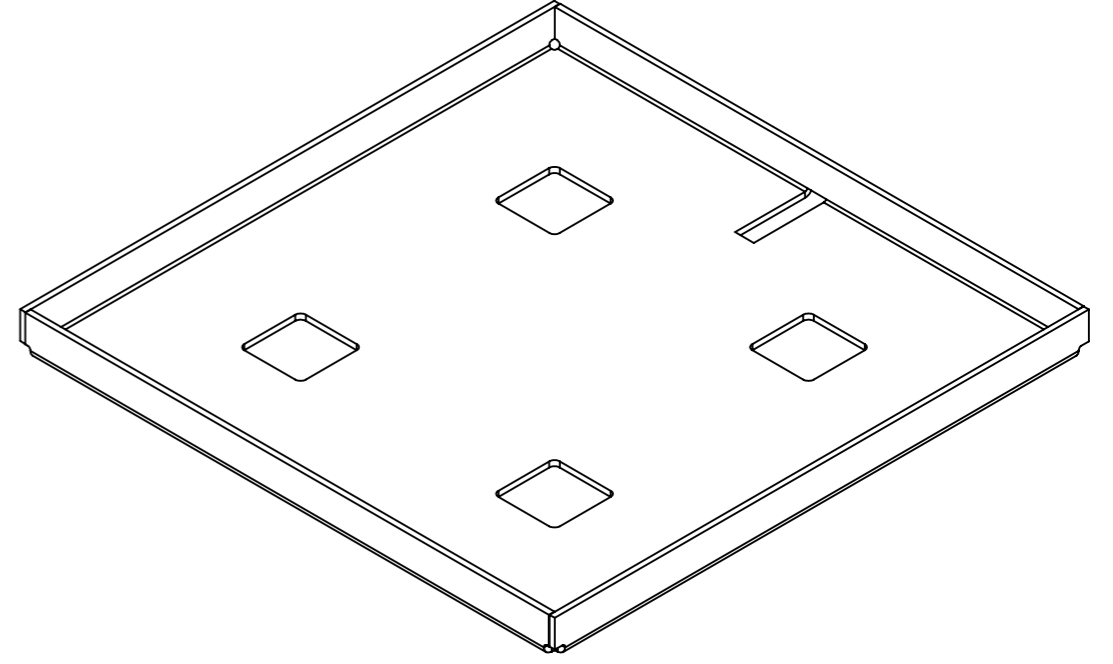
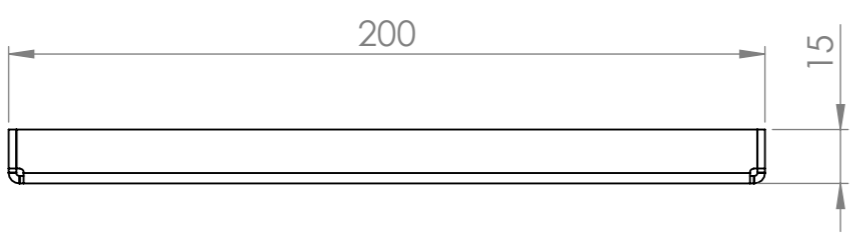
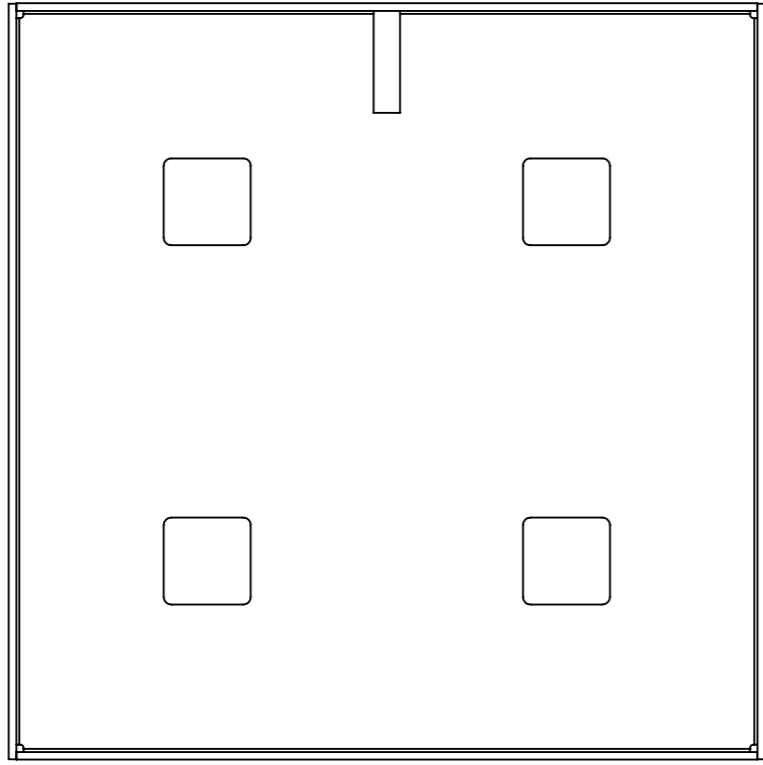


Skimmer Lids 26 Link Drive YATALA QLD 4207				DO NOT SCALE DRAWING	REVISION
DRAWN	NAME	SIGNATURE	DATE	TITLE:	
	M.P.J.		21/05/2024		
CHK'D					
APPV'D					
MFG					
Q.A			MATERIAL:	DWG NO.	206 x 10 Mk4 kit
			WEIGHT:	SCALE:1:2	A3
				SHEET 1 OF 3	



Skimmer Lids 26 Link Drive YATALA QLD 4207				DO NOT SCALE DRAWING		REVISION	
	NAME	SIGNATURE	DATE		TITLE:		
DRAWN	M.P.J.		21/05/2024				
CHK'D							
APPV'D							
MFG							
Q.A				MATERIAL:	DWG NO. 206 x 10 Mk4 kit		A3
				WEIGHT:	SCALE:1:2	SHEET 2 OF 3	



Skimmer Lids 26 Link Drive YATALA QLD 4207				DO NOT SCALE DRAWING		REVISION	
	NAME	SIGNATURE	DATE		TITLE:		
DRAWN	M.P.J.		21/05/2024				
CHK'D							
APPV'D							
MFG							
Q.A				MATERIAL:	DWG NO. 206 x 10 Mk4 kit		A3
				WEIGHT:	SCALE:1:2	SHEET 3 OF 3	