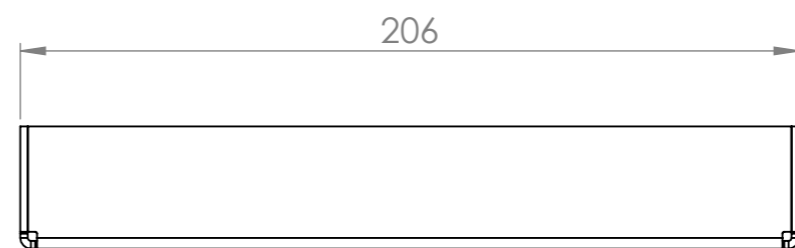
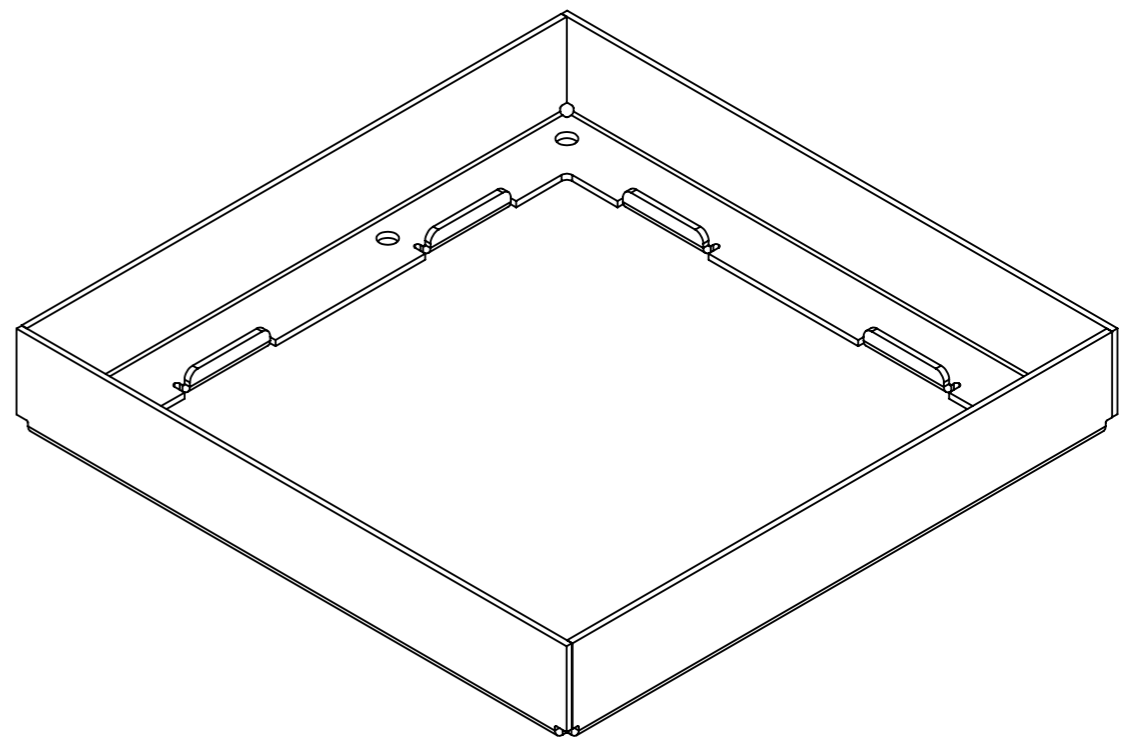
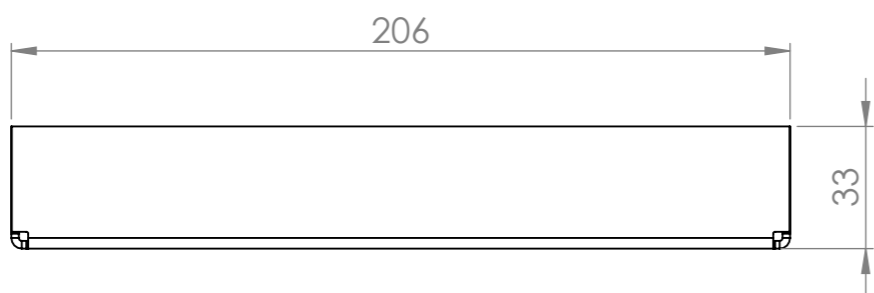
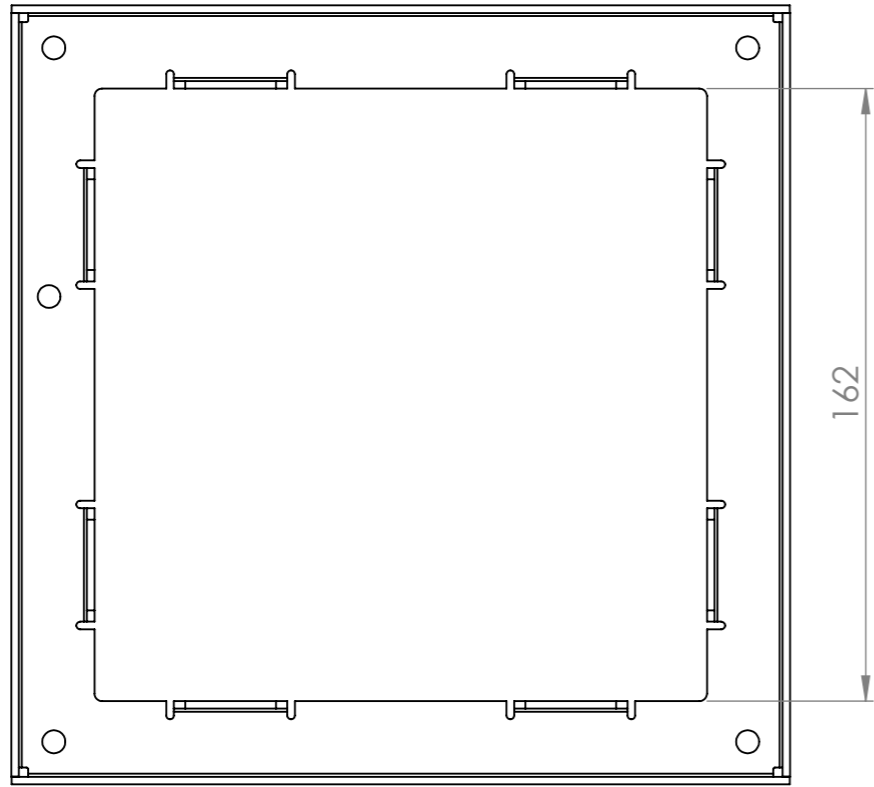
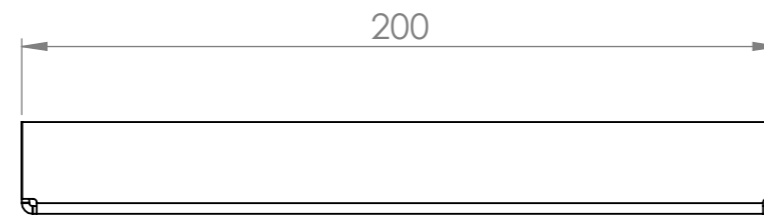
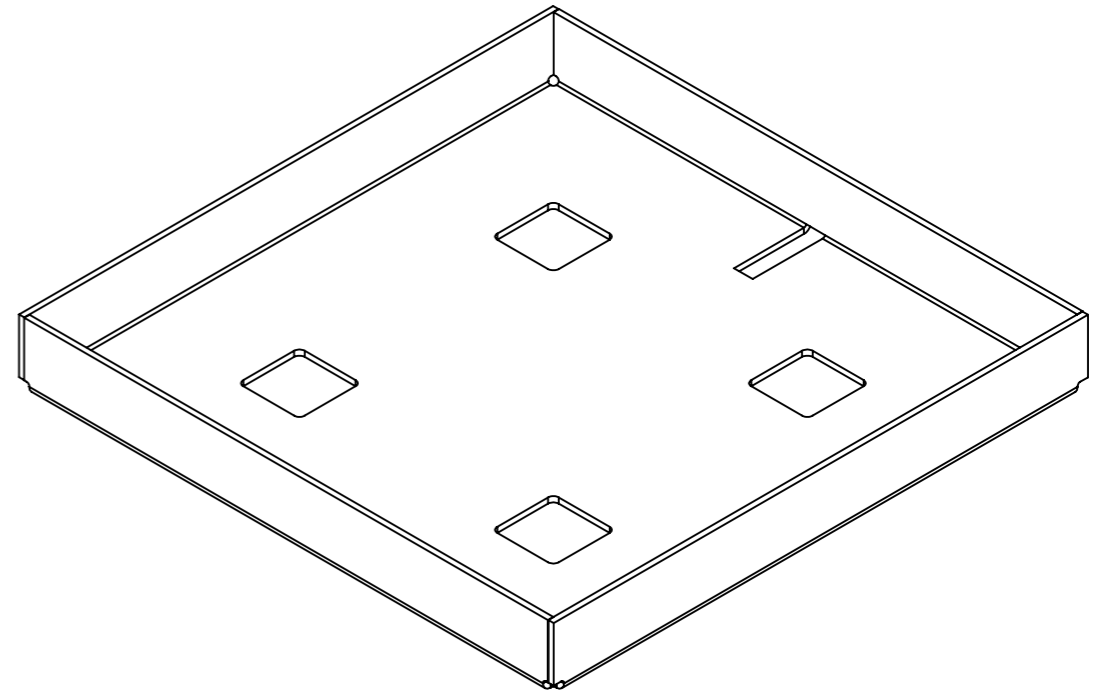
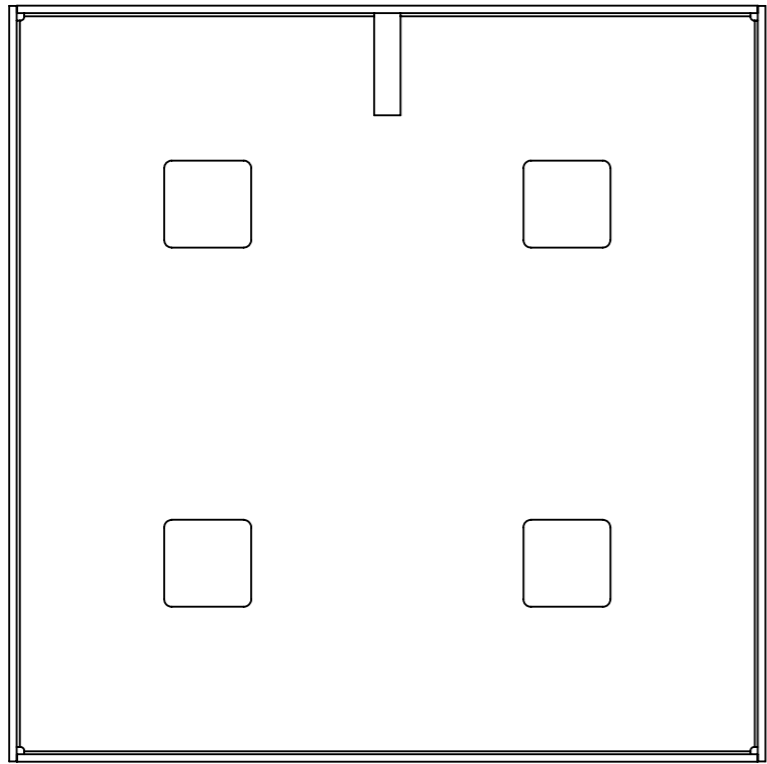


Skimmer Lids 26 Link Drive YATALA QLD 4207				DO NOT SCALE DRAWING	REVISION
DRAWN	NAME	SIGNATURE	DATE	TITLE:	
	M.P.J.		21/05/2024		
CHK'D					
APPV'D					
MFG					
Q.A			MATERIAL:	DWG NO.	206 x 20 Mk4 kit
			WEIGHT:	SCALE:1:2	A3
				SHEET 1 OF 3	



<p style="text-align: center;">Skimmer Lids 26 Link Drive YATALA QLD 4207</p>				DO NOT SCALE DRAWING		REVISION
				TITLE:		
DRAWN	NAME	SIGNATURE	DATE	MATERIAL:		
CHK'D	M.P.J.		21/05/2024	DWG NO. 206 x 20 Mk4 kit		
APPV'D				A3		
MFG				SCALE: 1:2		
Q.A				SHEET 2 OF 3		
				WEIGHT:		



Skimmer Lids 26 Link Drive YATALA QLD 4207				DO NOT SCALE DRAWING	REVISION
DRAWN	NAME	SIGNATURE	DATE	TITLE:	
	M.P.J.		21/05/2024		
CHK'D					
APPV'D					
MFG					
Q.A				DWG NO.	206 x 20 Mk4 kit
				SCALE:1:2	A3
			WEIGHT:		SHEET 3 OF 3