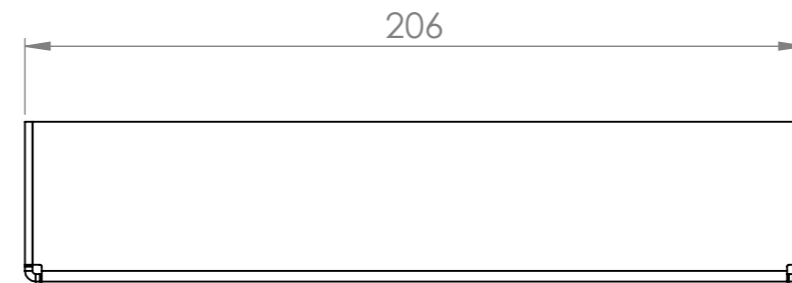
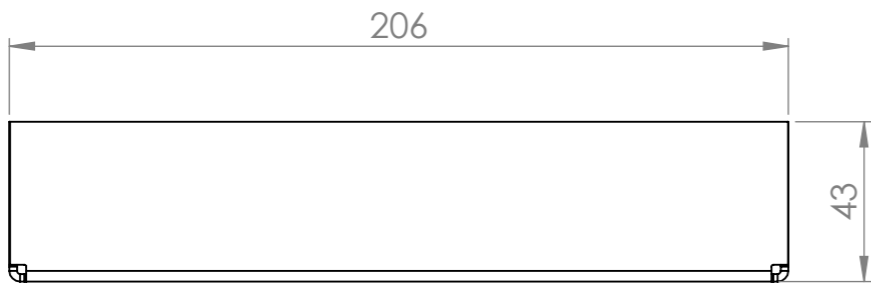
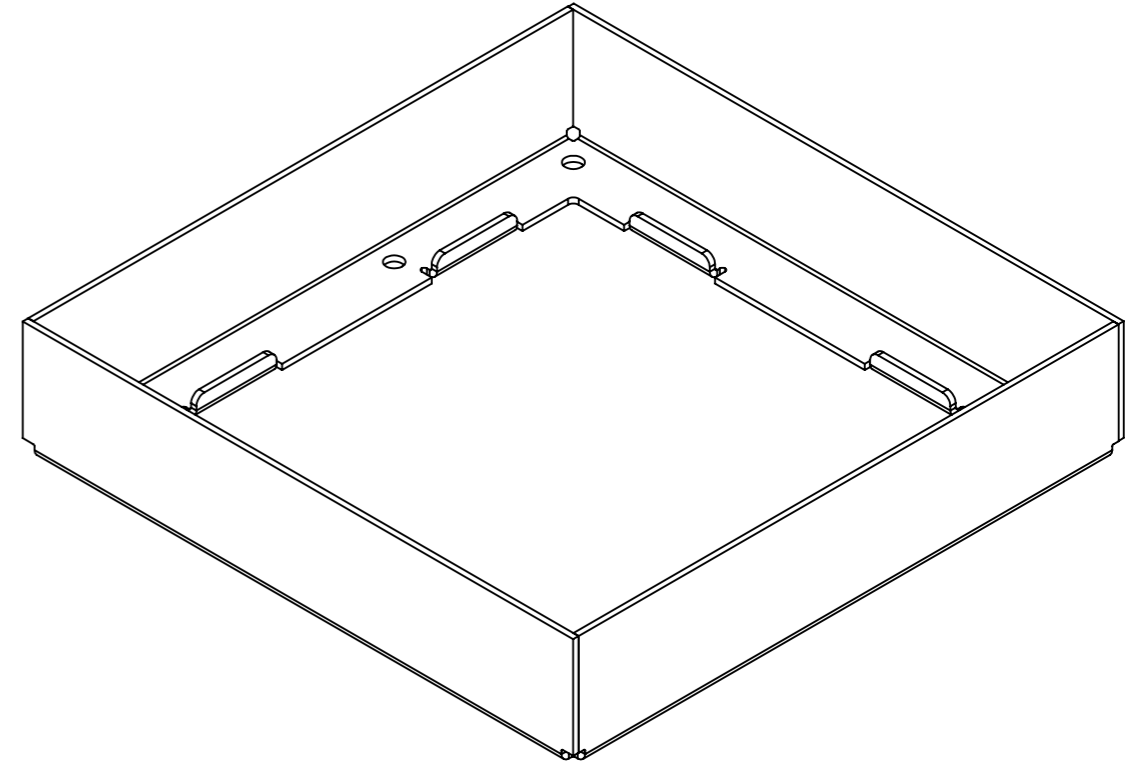
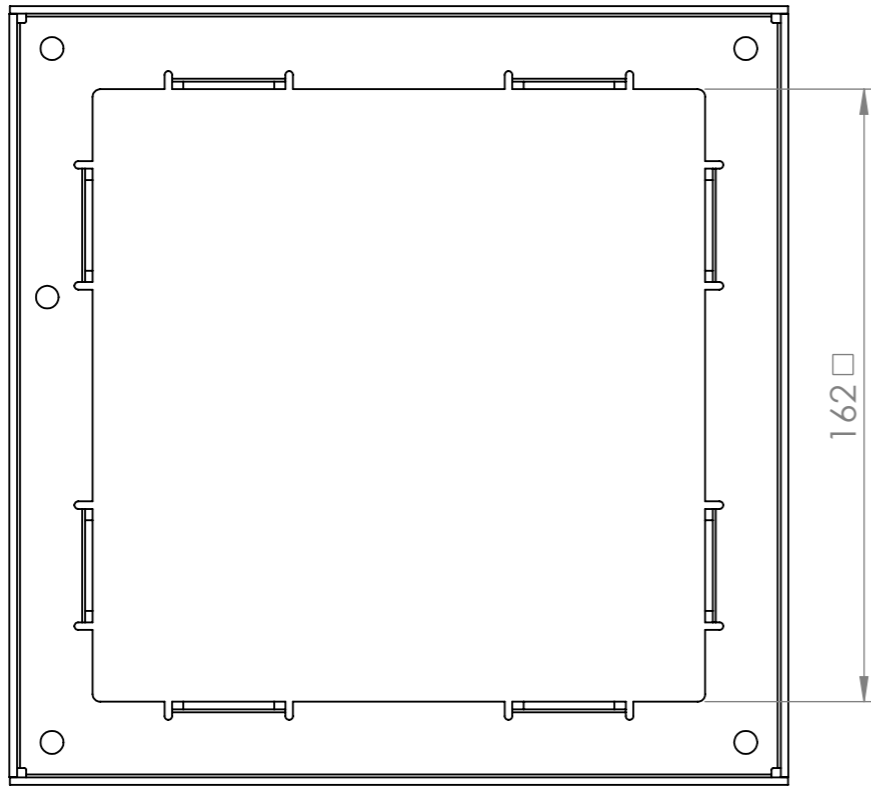
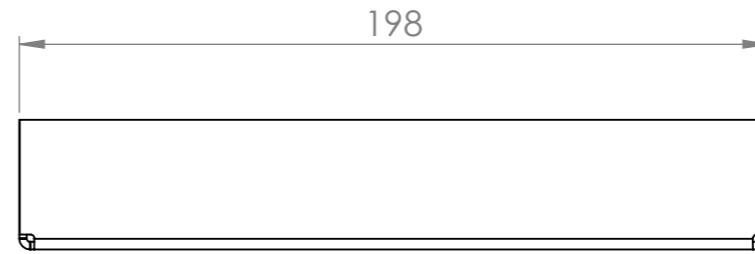
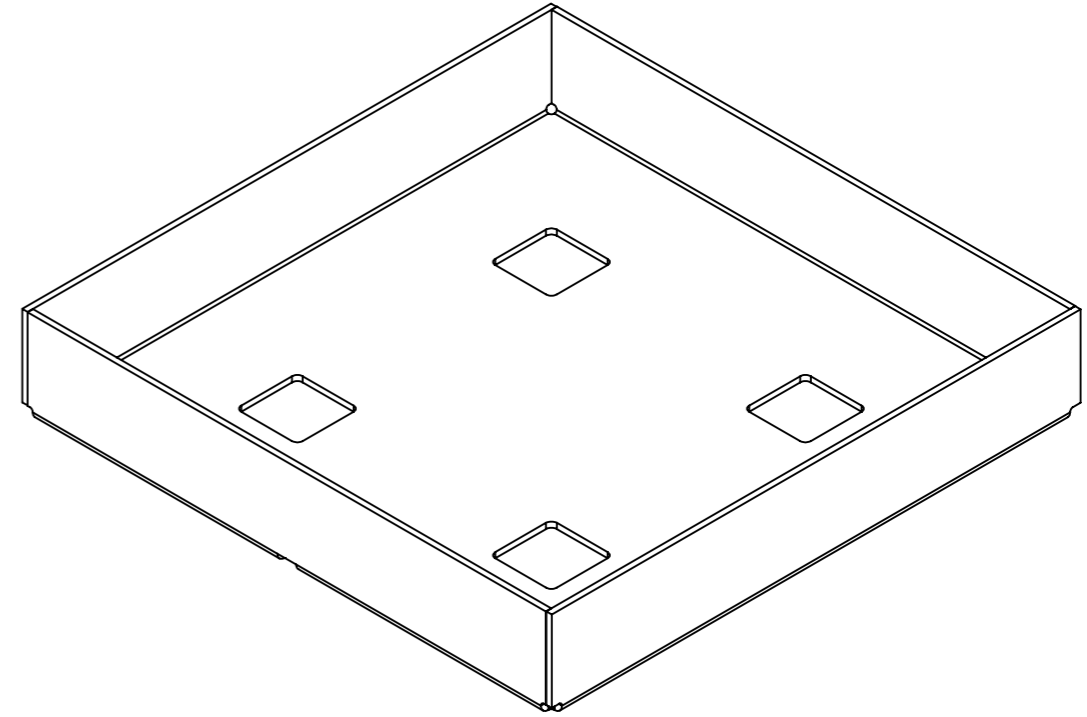
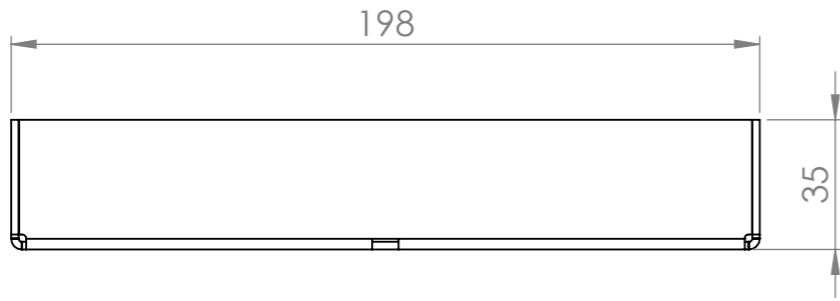
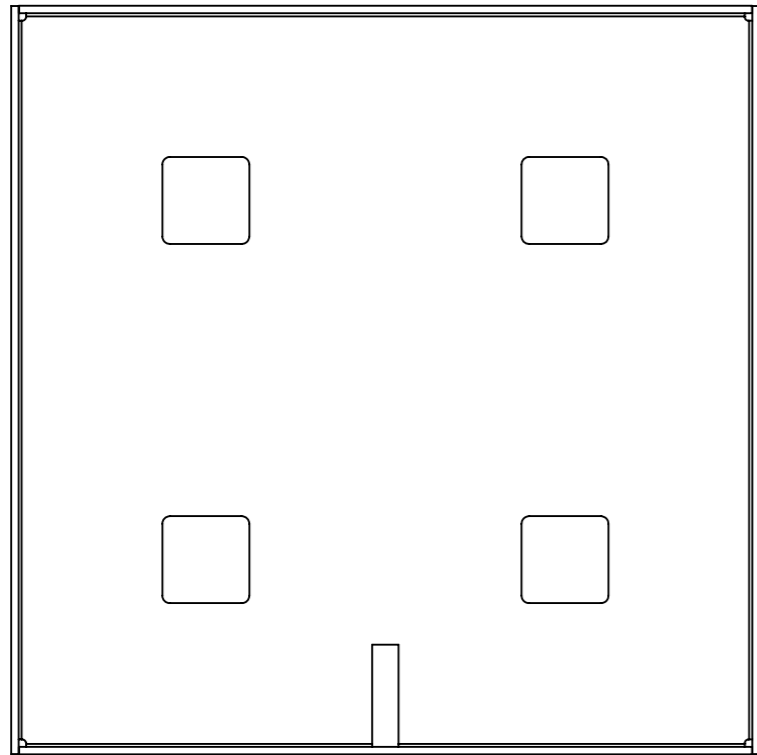


Skimmer Lids 26 Link Drive YATALA QLD 4207				DO NOT SCALE DRAWING		REVISION	
	NAME	SIGNATURE	DATE			TITLE:	
DRAWN	M.P.J.		4/10/2024				
CHK'D							
APPV'D							
MFG							
Q.A				MATERIAL:		DWG NO.	
						206 x 30 Mk4 kit	A3
				WEIGHT:		SCALE:1:2	SHEET 1 OF 3



Skimmer Lids 26 Link Drive YATALA QLD 4207				DO NOT SCALE DRAWING	REVISION
DRAWN	NAME	SIGNATURE	DATE	TITLE:	
	M.P.J.		4/10/2024		
CHK'D					
APPV'D					
MFG					
Q.A				MATERIAL:	DWG NO. 206 x 30 Mk4 kit
				WEIGHT:	A3
				SCALE:1:2	SHEET 2 OF 3



Skimmer Lids 26 Link Drive YATALA QLD 4207				DO NOT SCALE DRAWING		REVISION	
DRAWN	NAME	SIGNATURE	DATE	TITLE:			
	M.P.J.		4/10/2024				
CHK'D							
APPV'D							
MFG							
Q.A				MATERIAL:	DWG NO.		A3
					206 x 30 Mk4 kit		
				WEIGHT:	SCALE:1:2		SHEET 3 OF 3