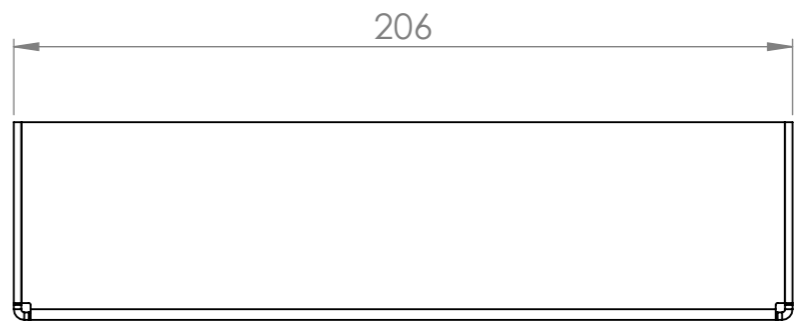
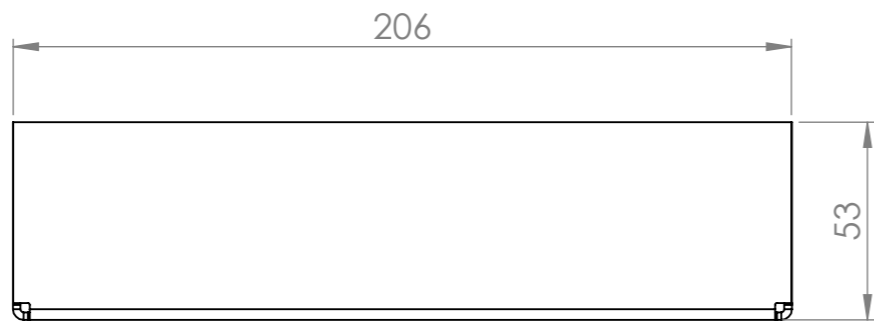
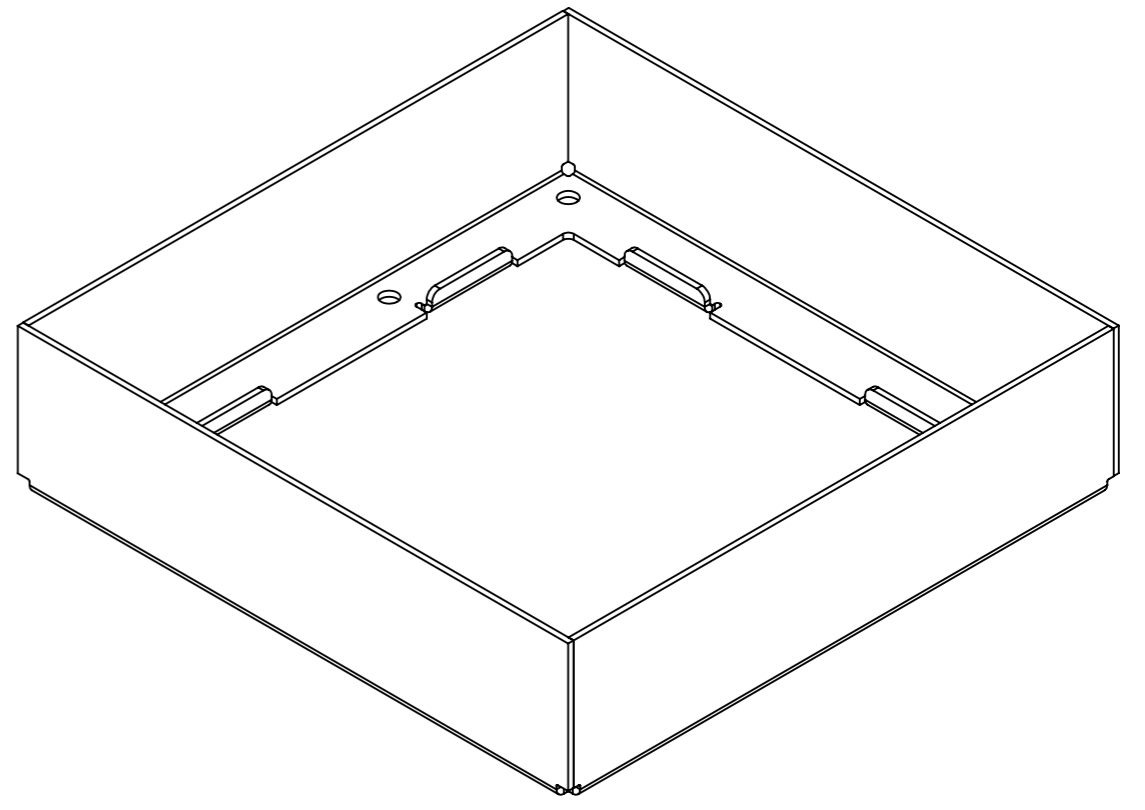
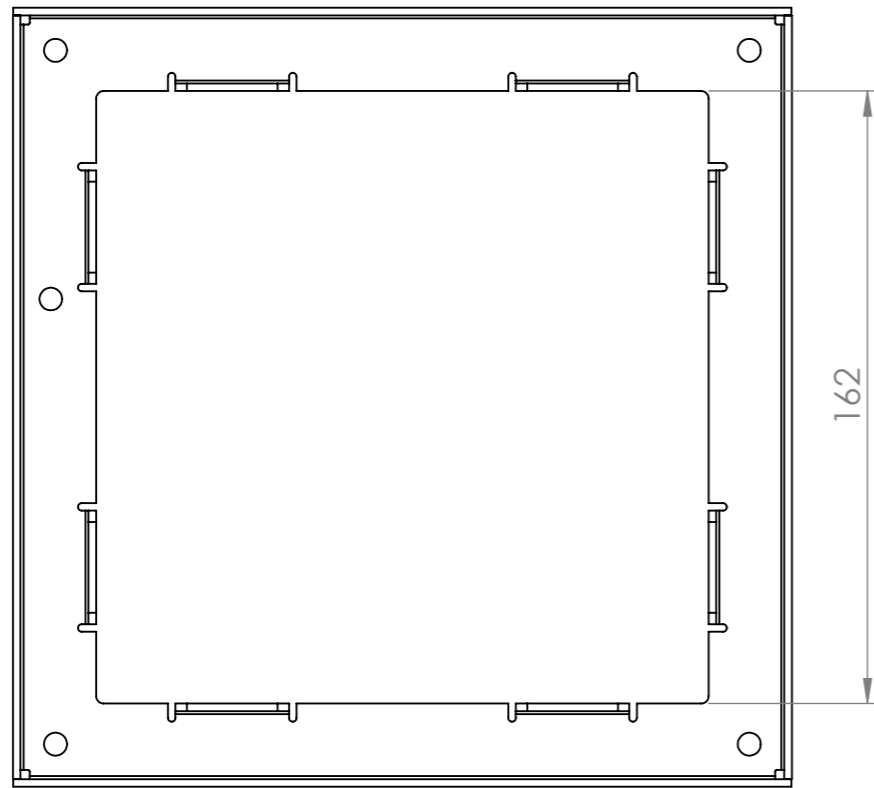
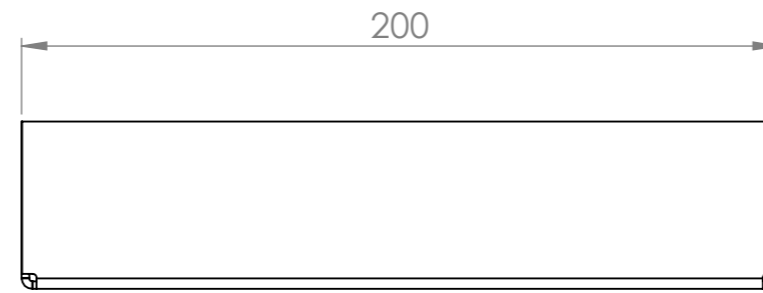
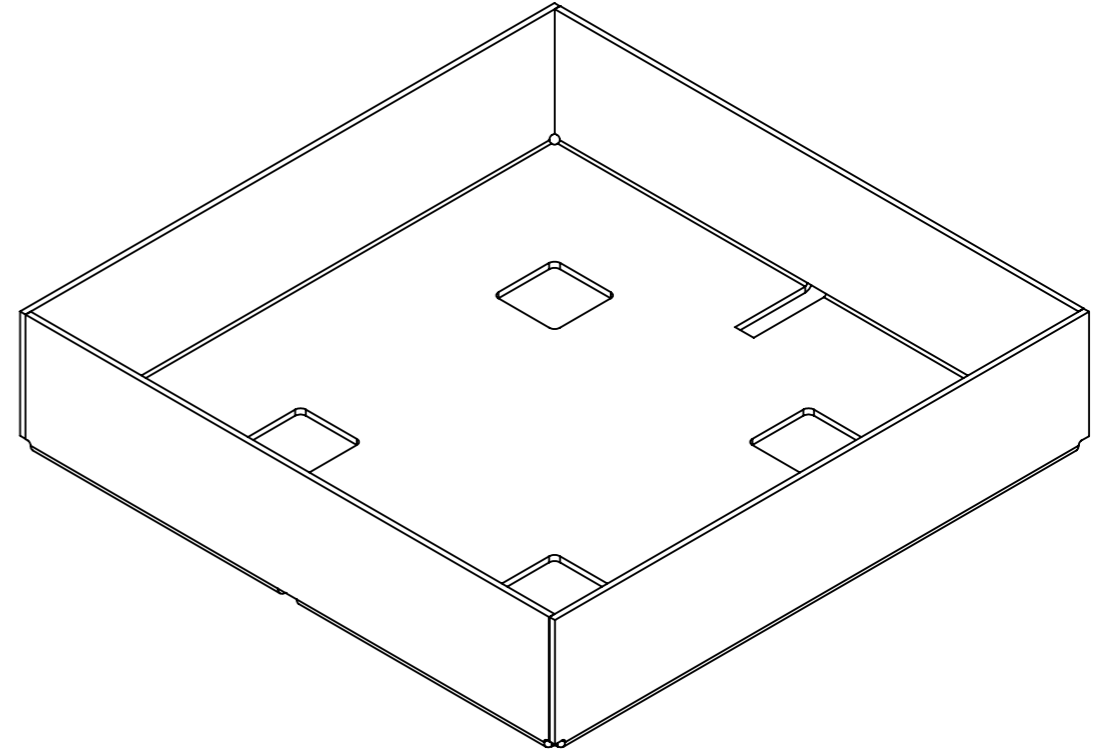
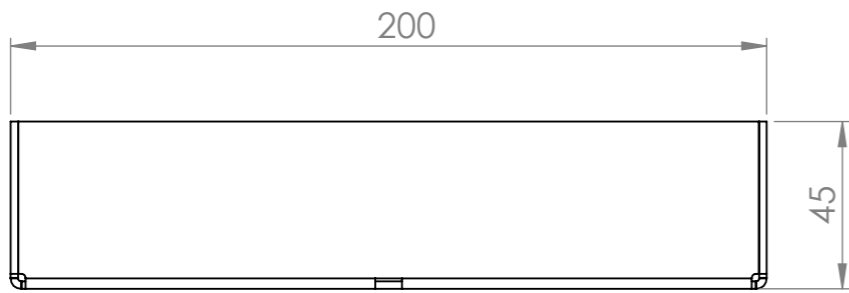
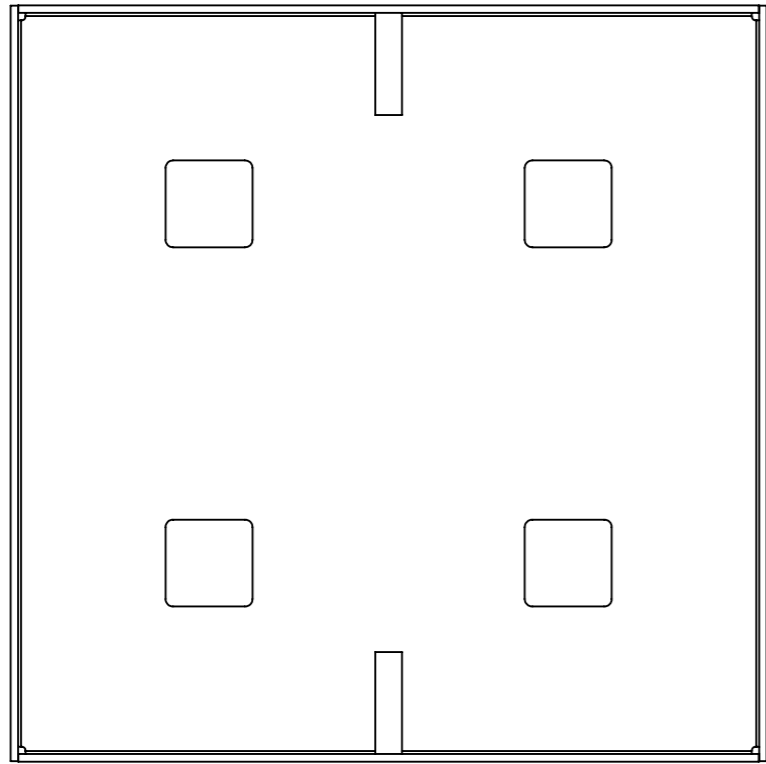


Skimmer Lids 26 Link Drive YATALA QLD 4207				DO NOT SCALE DRAWING		REVISION	
	NAME	SIGNATURE	DATE			TITLE:	
DRAWN	M.P.J.		21/05/2024				
CHK'D							
APPV'D							
MFG							
Q.A				MATERIAL:		DWG NO.	H 206 x 40 Mk4 kit
							A3
				WEIGHT:		SCALE:1:2	SHEET 1 OF 3



Skimmer Lids 26 Link Drive YATALA QLD 4207				DO NOT SCALE DRAWING		REVISION
				TITLE:		
DRAWN	NAME	SIGNATURE	DATE			DWG NO. H 206 x 40 Mk4 kit
	M.P.J.		21/05/2024			
CHK'D						
APPV'D						
MFG						
Q.A				MATERIAL:		
				WEIGHT:	SCALE:1:2	SHEET 2 OF 3
						A3



Skimmer Lids 26 Link Drive YATALA QLD 4207				DO NOT SCALE DRAWING		REVISION
				TITLE:		
DRAWN	NAME	SIGNATURE	DATE	DWG NO. H 206 x 40 Mk4 kit		
CHK'D	M.P.J.		21/05/2024	SCALE: 1:2		
APPV'D				SHEET 3 OF 3		
MFG				WEIGHT:		
Q.A				MATERIAL:		