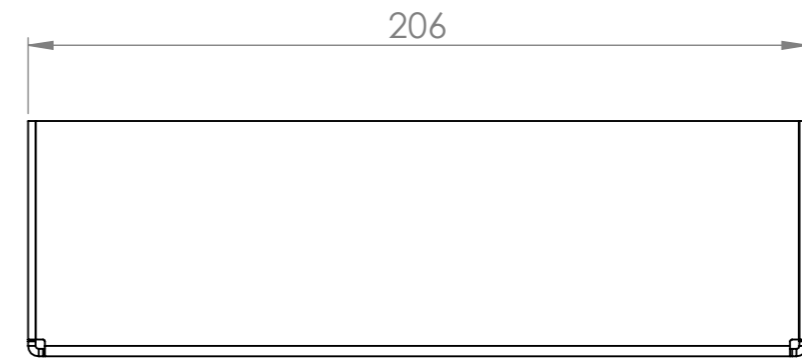
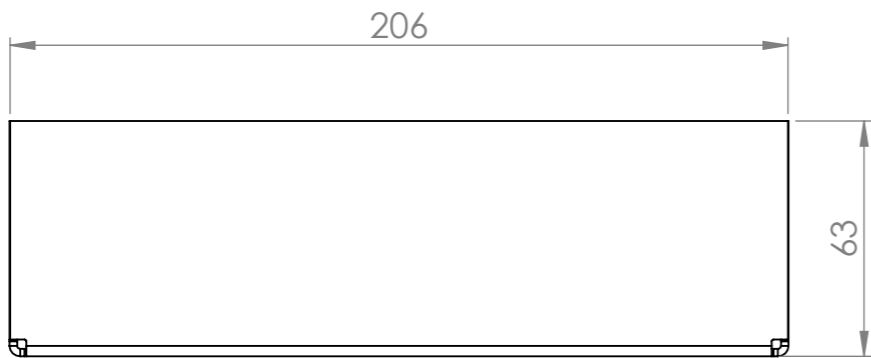
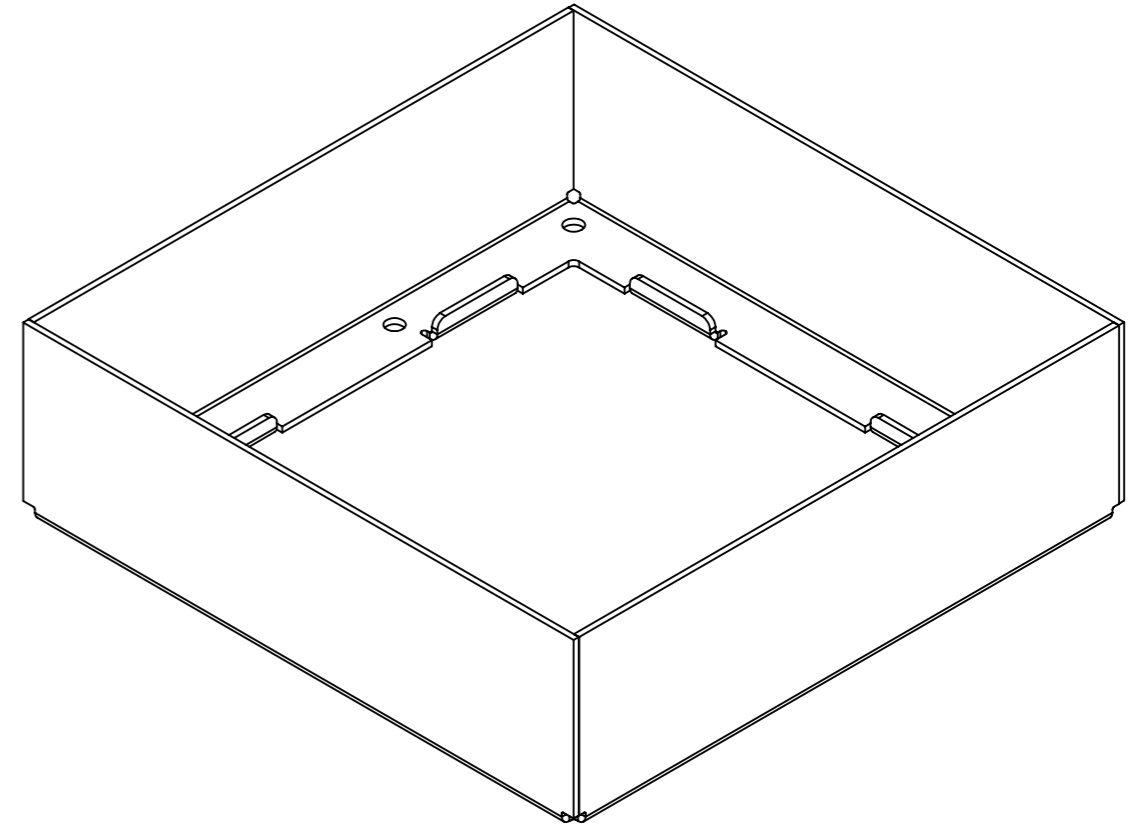
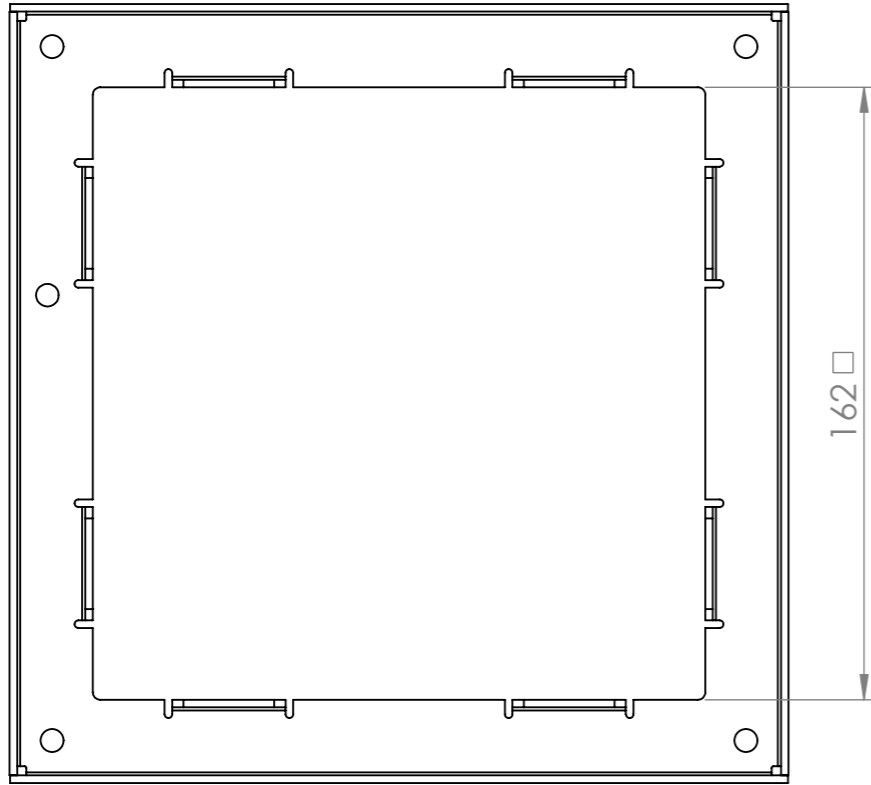
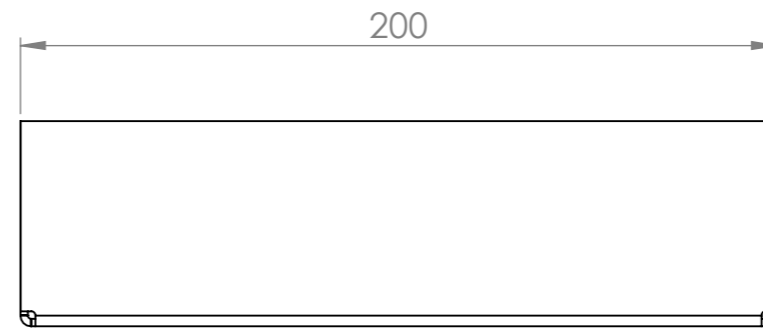
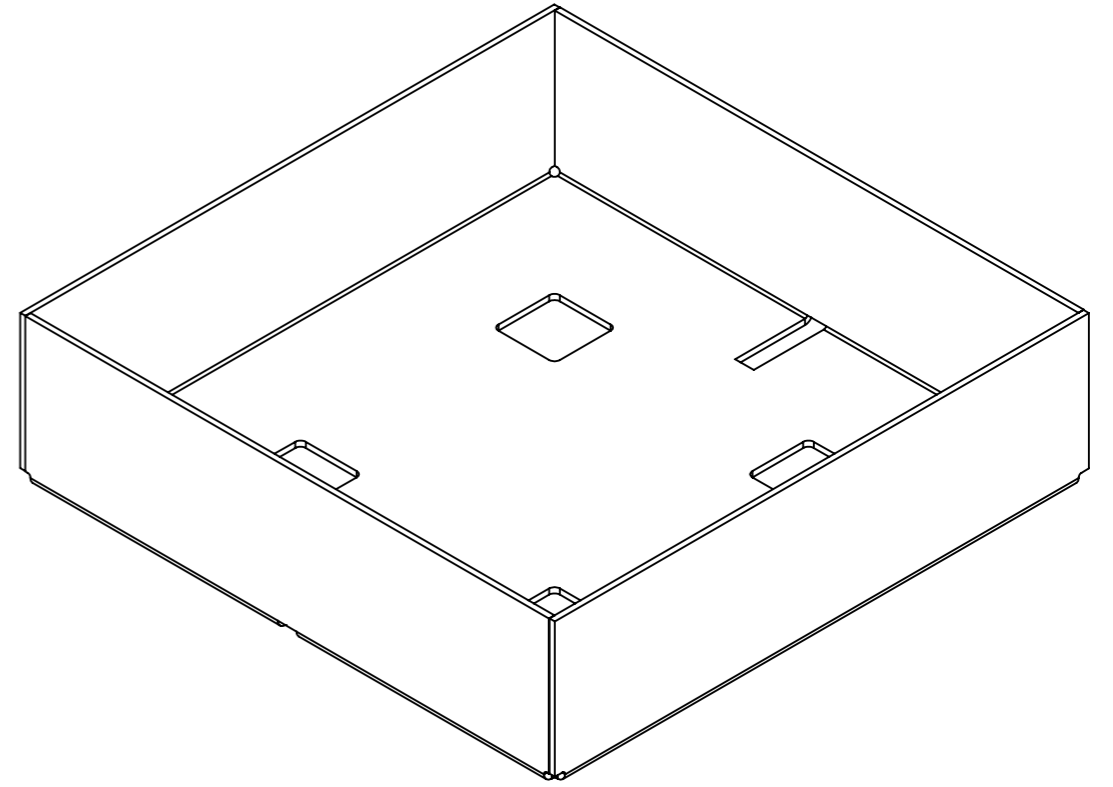
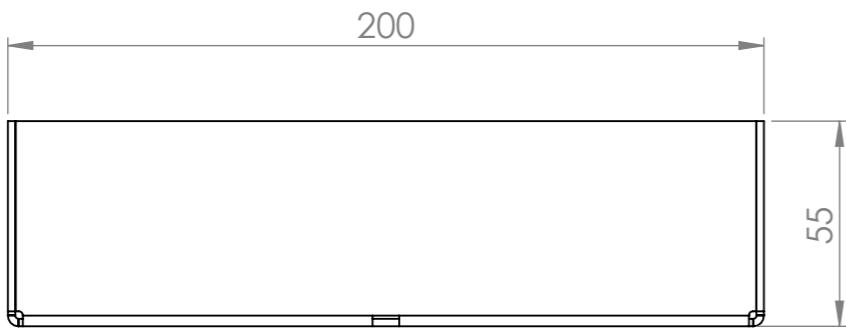
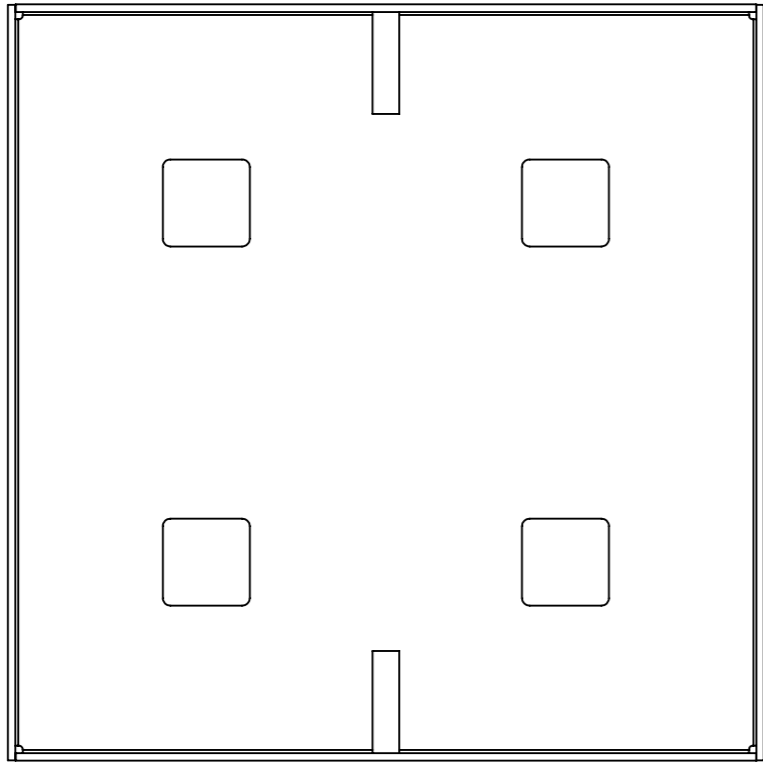


<p style="text-align: center;">Skimmer Lids 26 Link Drive YATALA QLD 4207</p>				DO NOT SCALE DRAWING		REVISION		
	NAME	SIGNATURE	DATE	TITLE:				
DRAWN	M.P.J.		21/05/2024					
CHK'D								
APPV'D								
MFG								
Q.A				MATERIAL:		DWG NO. <b>206 x 50 Mk4 kit</b>		A3
				WEIGHT:		SCALE:1:2		SHEET 1 OF 3



Skimmer Lids 26 Link Drive YATALA QLD 4207				DO NOT SCALE DRAWING		REVISION	
DRAWN	NAME	SIGNATURE	DATE	TITLE:			
	M.P.J.		21/05/2024				
CHK'D							
APPV'D							
MFG							
Q.A				MATERIAL:	DWG NO.		A3
					206 x 50 Mk4 kit		
				WEIGHT:	SCALE:1:2	SHEET 2 OF 3	



Skimmer Lids 26 Link Drive YATALA QLD 4207				DO NOT SCALE DRAWING		REVISION	
DRAWN	NAME	SIGNATURE	DATE	TITLE:			
	M.P.J.		21/05/2024				
CHK'D							
APPV'D							
MFG							
Q.A				MATERIAL:	DWG NO.		A3
					206 x 50 Mk4 kit		
				WEIGHT:	SCALE:1:2	SHEET 3 OF 3	