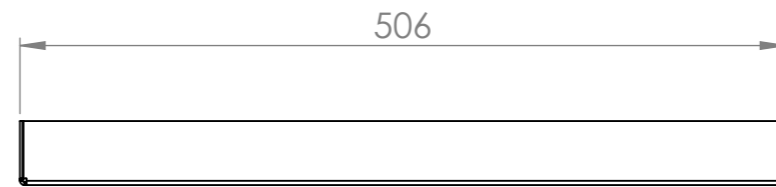
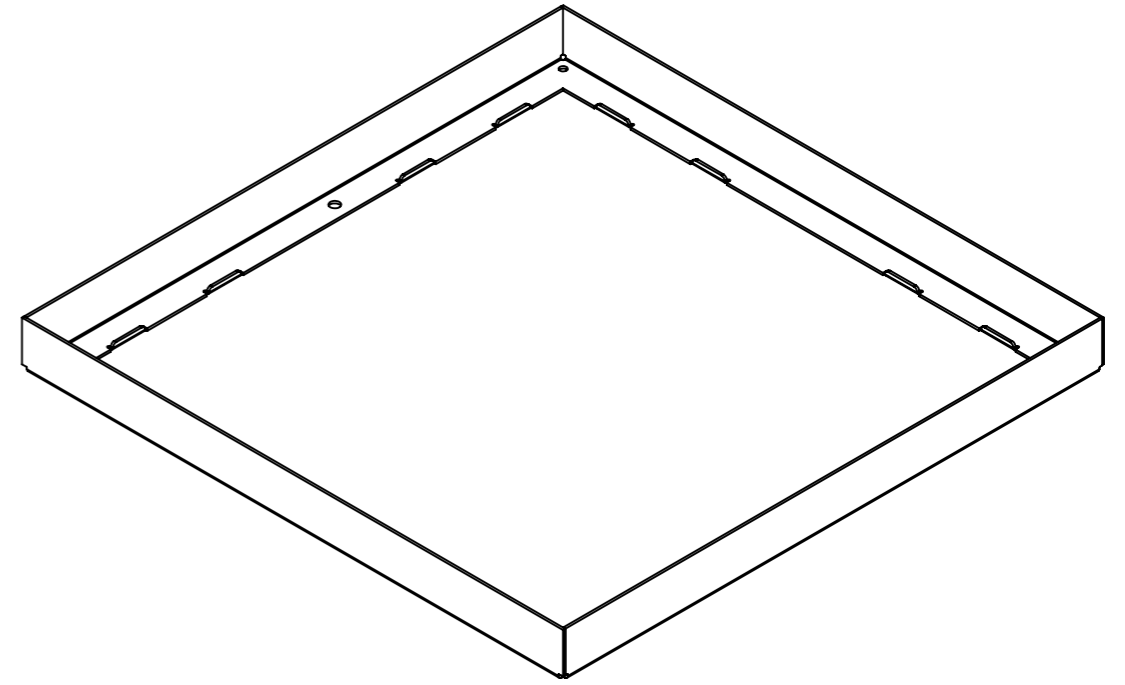
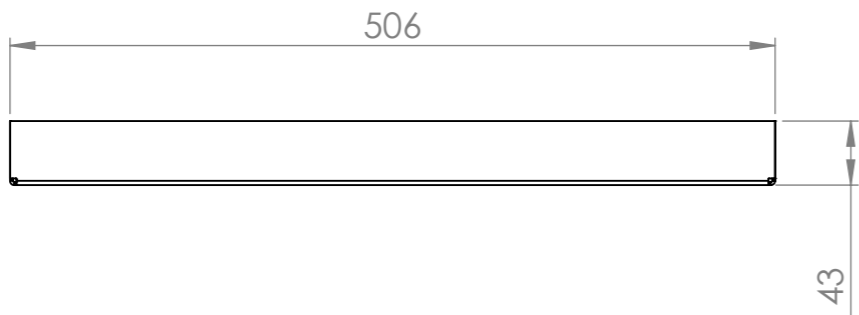
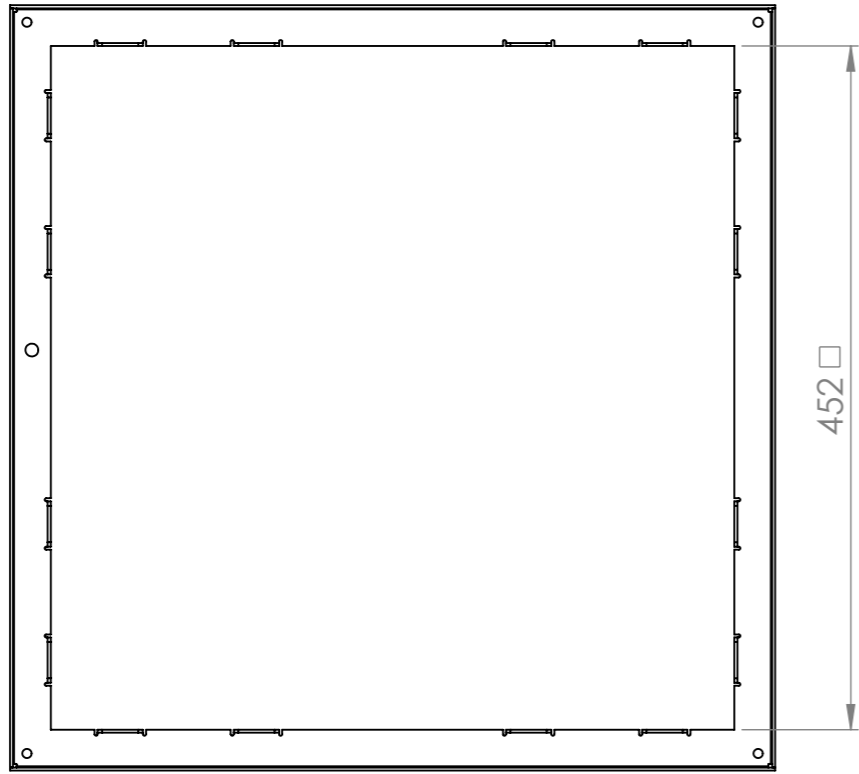
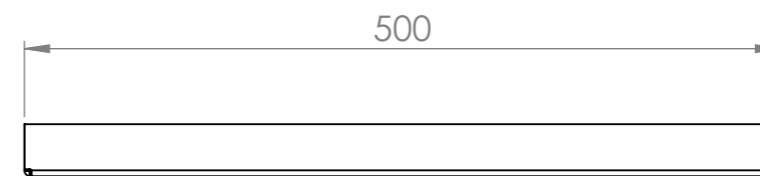
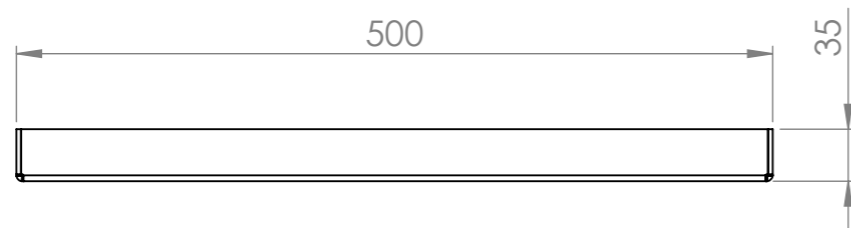
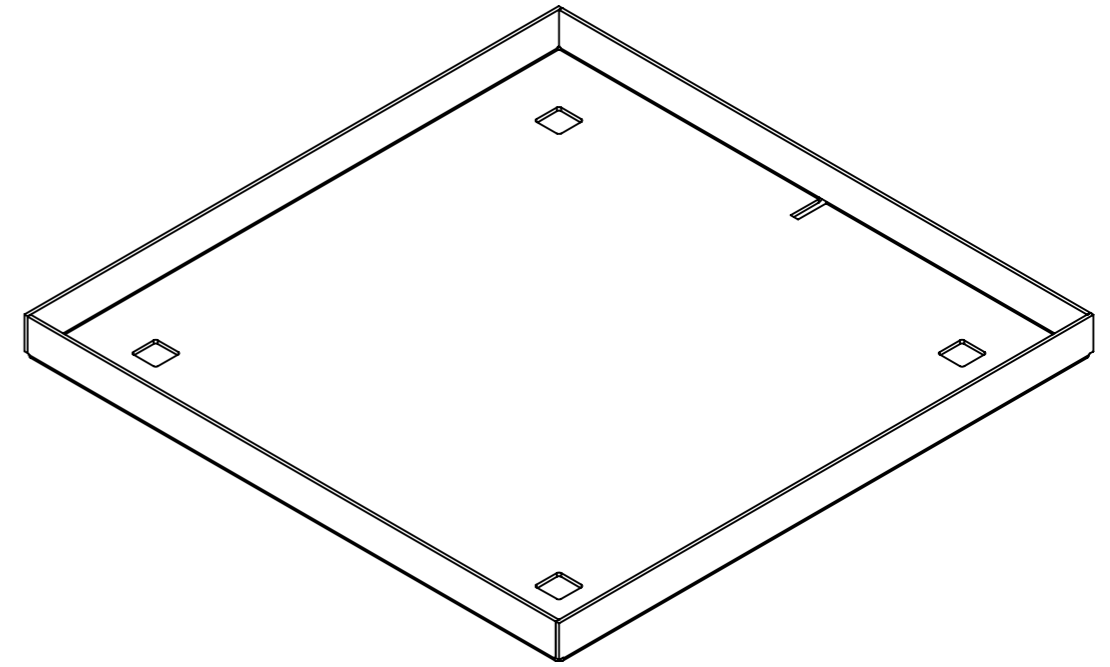
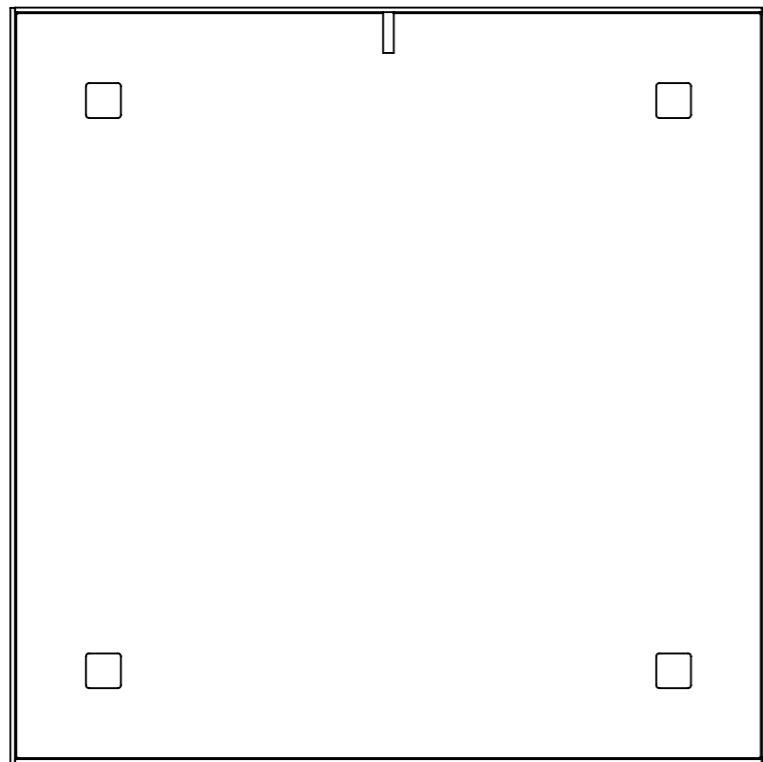


| Skimmer Lids 26 Link Drive YATALA QLD 4207 | | | | DO NOT SCALE DRAWING | | REVISION | |
|--|--------|-----------|-----------|----------------------|--------------------------|--------------|----|
| | NAME | SIGNATURE | DATE | | TITLE: | | |
| DRAWN | M.P.J. | | 4/10/2024 | | | | |
| CHK'D | | | | | | | |
| APPV'D | | | | | | | |
| MFG | | | | | | | |
| Q.A | | | | MATERIAL: | DWG NO. HAC 506 x 30 kit | | A3 |
| | | | | WEIGHT: | SCALE:1:5 | SHEET 1 OF 3 | |



| Skimmer Lids 26 Link Drive YATALA QLD 4207 | | | | DO NOT SCALE DRAWING | REVISION |
|--|--------|-----------|-----------|----------------------|--------------|
| DRAWN | NAME | SIGNATURE | DATE | TITLE: | |
| | M.P.J. | | 4/10/2024 | | |
| CHK'D | | | | | |
| APPV'D | | | | | |
| MFG | | | | | |
| Q.A | | | | DWG NO. | A3 |
| | | | MATERIAL: | HAC 506 x 30 kit | |
| | | | WEIGHT: | SCALE:1:5 | SHEET 2 OF 3 |



| Skimmer Lids 26 Link Drive YATALA QLD 4207 | | | | DO NOT SCALE DRAWING | | REVISION | |
|--|--------|-----------|-----------|----------------------|--|------------------|--------------|
| | NAME | SIGNATURE | DATE | | | TITLE: | |
| DRAWN | M.P.J. | | 4/10/2024 | | | | |
| CHK'D | | | | | | | |
| APPV'D | | | | | | | |
| MFG | | | | | | | |
| Q.A | | | | MATERIAL: | | DWG NO. | A3 |
| | | | | WEIGHT: | | SCALE:1:5 | SHEET 3 OF 3 |
| | | | | | | HAC 506 x 30 kit | |