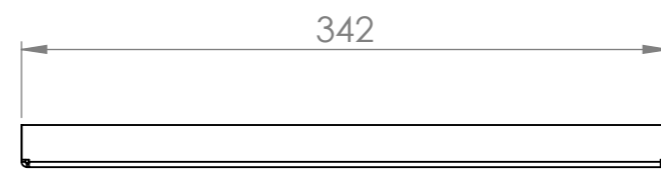
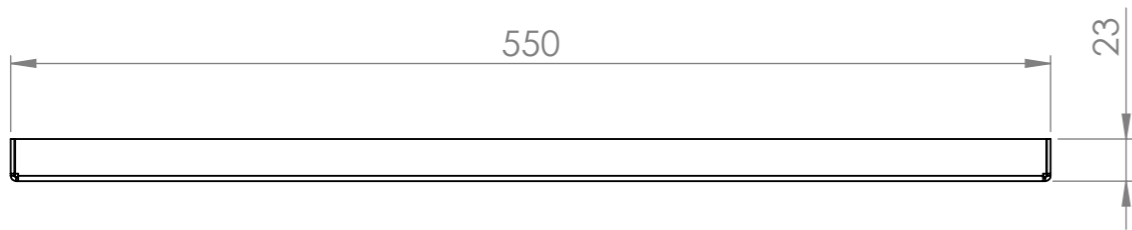
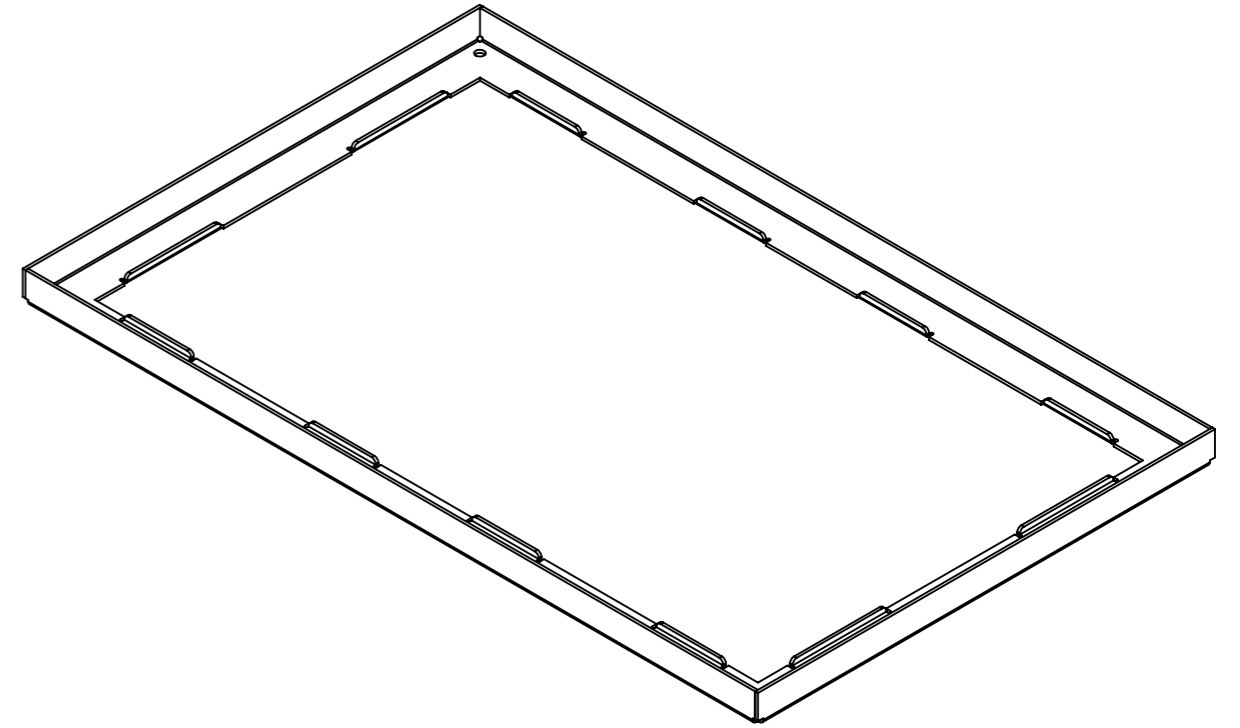
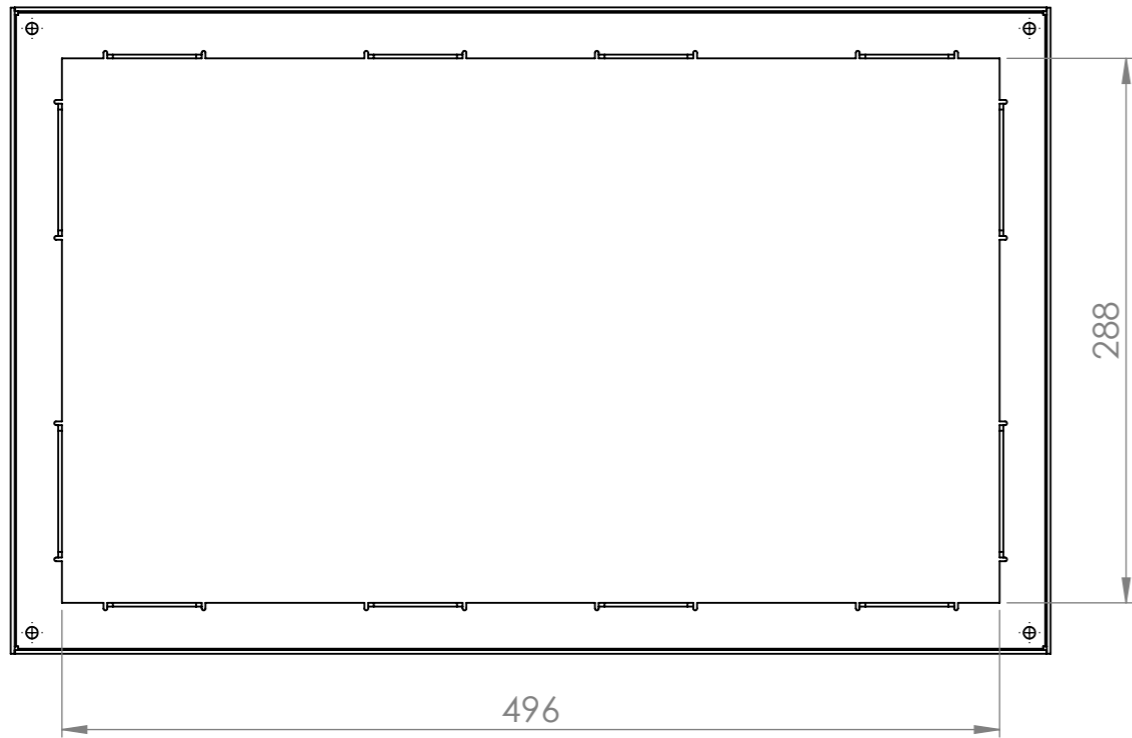


Skimmer Lids 26 Link Drive YATALA QLD 4207				DO NOT SCALE DRAWING		REVISION	
	NAME	SIGNATURE	DATE		TITLE:		
DRAWN	M.P.J.		23/06/2025				
CHK'D							
APPV'D							
MFG							
Q.A				MATERIAL:		DWG NO. H 550x342 x 10 Kit	
						A3	
				WEIGHT:		SCALE:1:4	
						SHEET 1 OF 3	



Skimmer Lids 26 Link Drive YATALA QLD 4207				DO NOT SCALE DRAWING		REVISION	
DRAWN	NAME	SIGNATURE	DATE		TITLE:		
	M.P.J.		23/06/2025				
CHK'D							
APPV'D							
MFG							
Q.A				MATERIAL:	DWG NO. H 550x342 x 10 Kit		A3
				WEIGHT:	SCALE:1:4	SHEET 2 OF 3	

