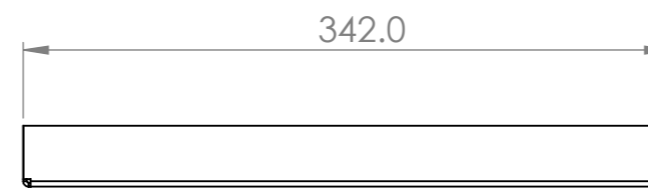
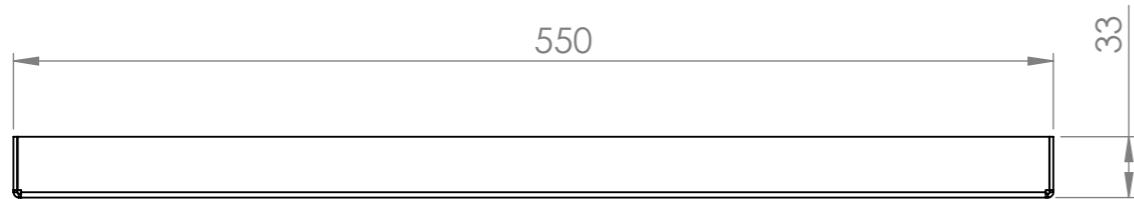
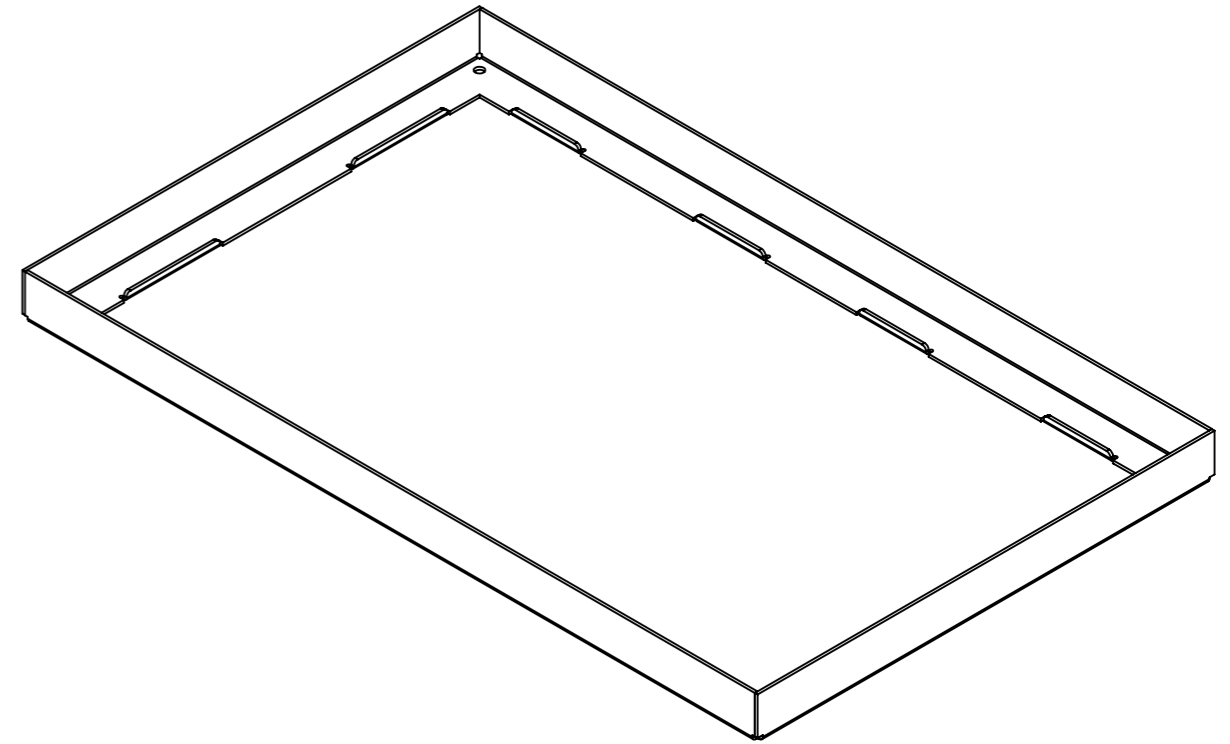
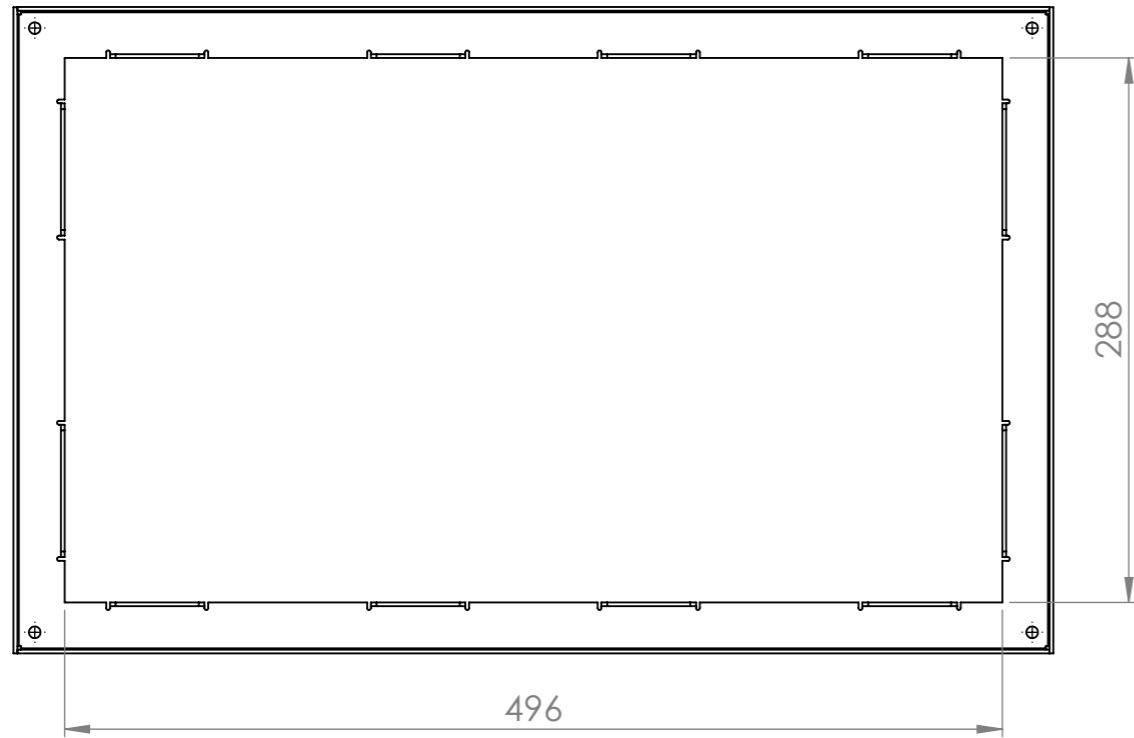
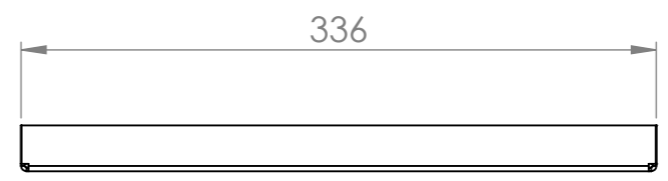
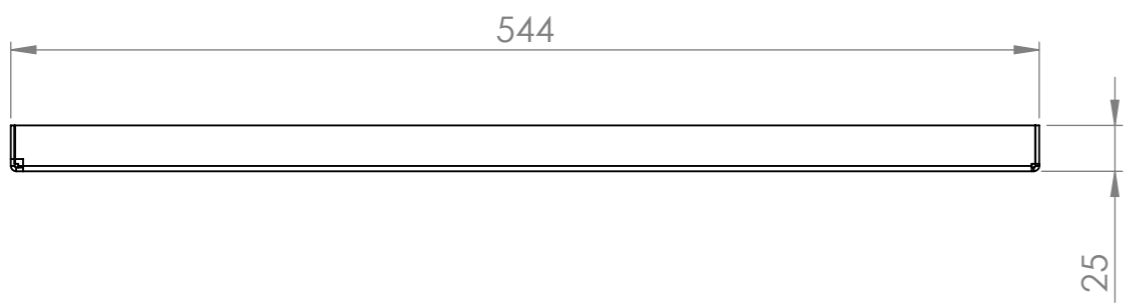
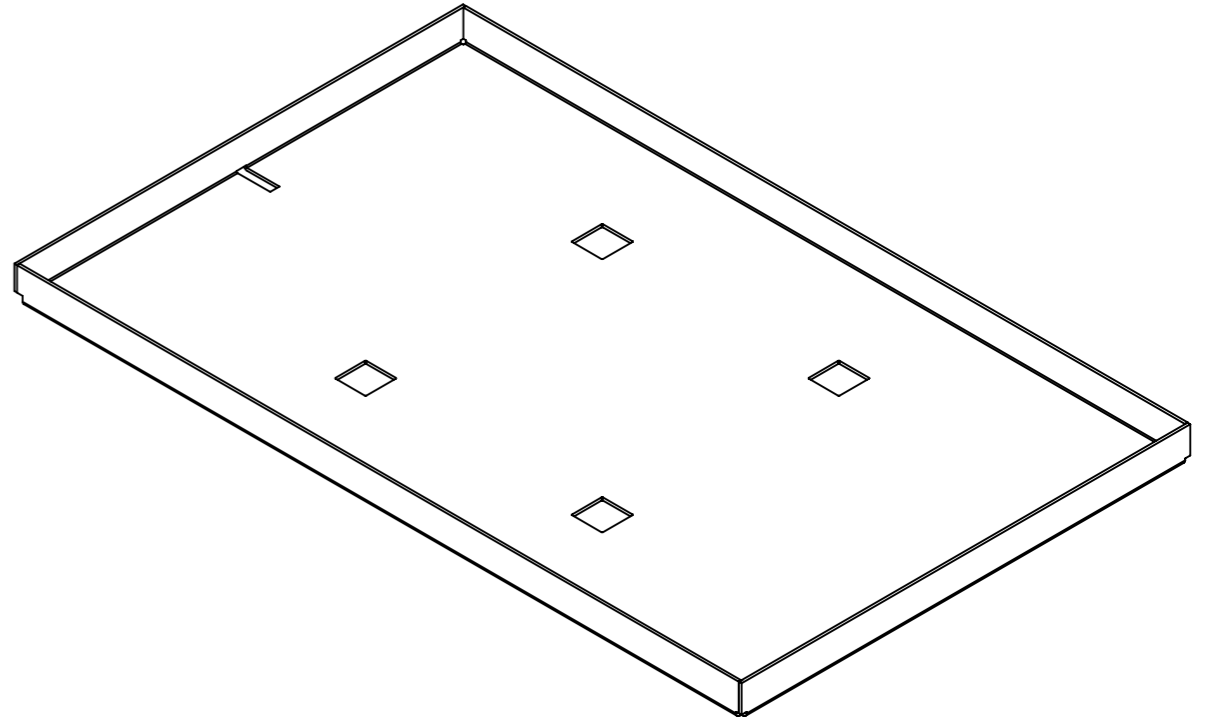
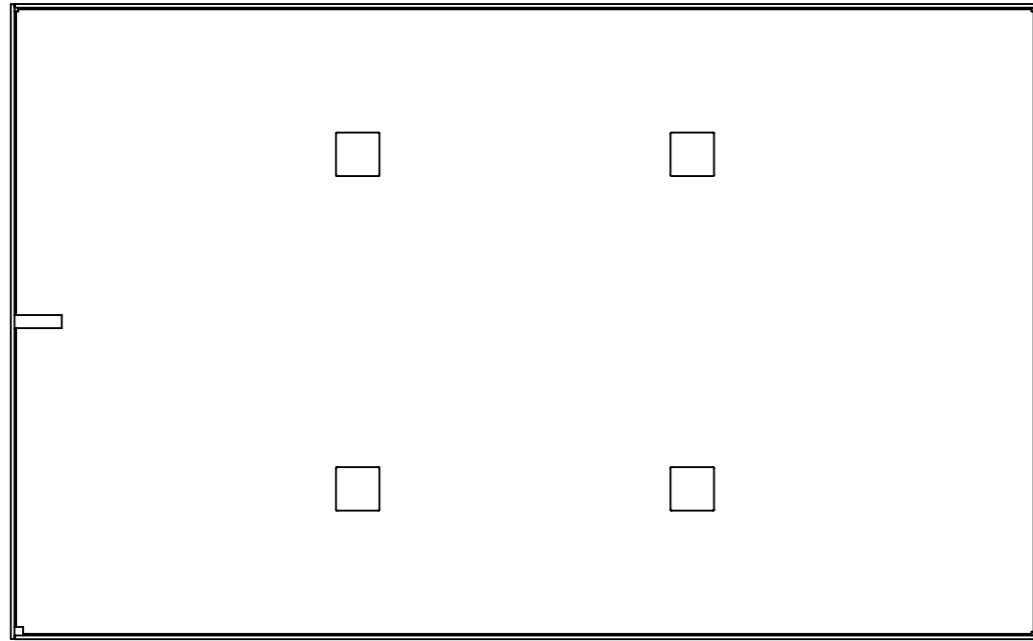


Skimmer Lids 26 Link Drive YATALA QLD 4207				DO NOT SCALE DRAWING		REVISION	
	NAME	SIGNATURE	DATE		TITLE:		
DRAWN	M.P.J.		23/06/2025				
CHK'D							
APPV'D							
MFG							
Q.A				MATERIAL:	DWG NO. H 550x342 x 20 Kit		A3
				WEIGHT:	SCALE:1:4	SHEET 1 OF 3	



Skimmer Lids 26 Link Drive YATALA QLD 4207				DO NOT SCALE DRAWING		REVISION	
	NAME	SIGNATURE	DATE			TITLE:	
DRAWN	M.P.J.		23/06/2025				
CHK'D							
APPV'D							
MFG							
Q.A				MATERIAL:		DWG NO.	
						H 550x342 x 20 Kit	A3
				WEIGHT:		SCALE:1:4	SHEET 2 OF 3



Skimmer Lids 26 Link Drive YATALA QLD 4207				DO NOT SCALE DRAWING		REVISION
				TITLE:		
DRAWN	NAME	SIGNATURE	DATE			DWG NO. H 550x342 x 20 Kit
CHK'D	M.P.J.		23/06/2025			
APPV'D						
MFG						
Q.A						
				MATERIAL:		SCALE:1:4
				WEIGHT:		
						SHEET 3 OF 3

A3