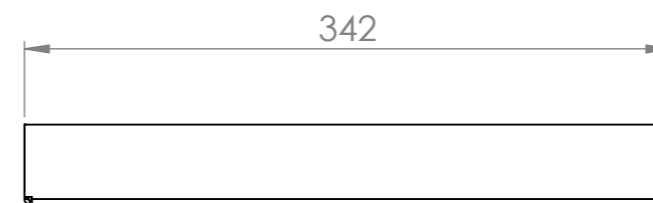
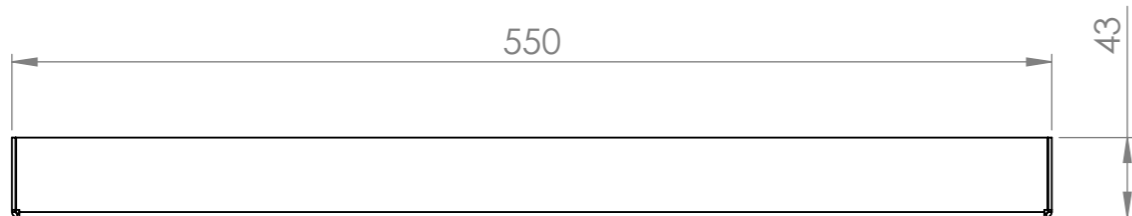
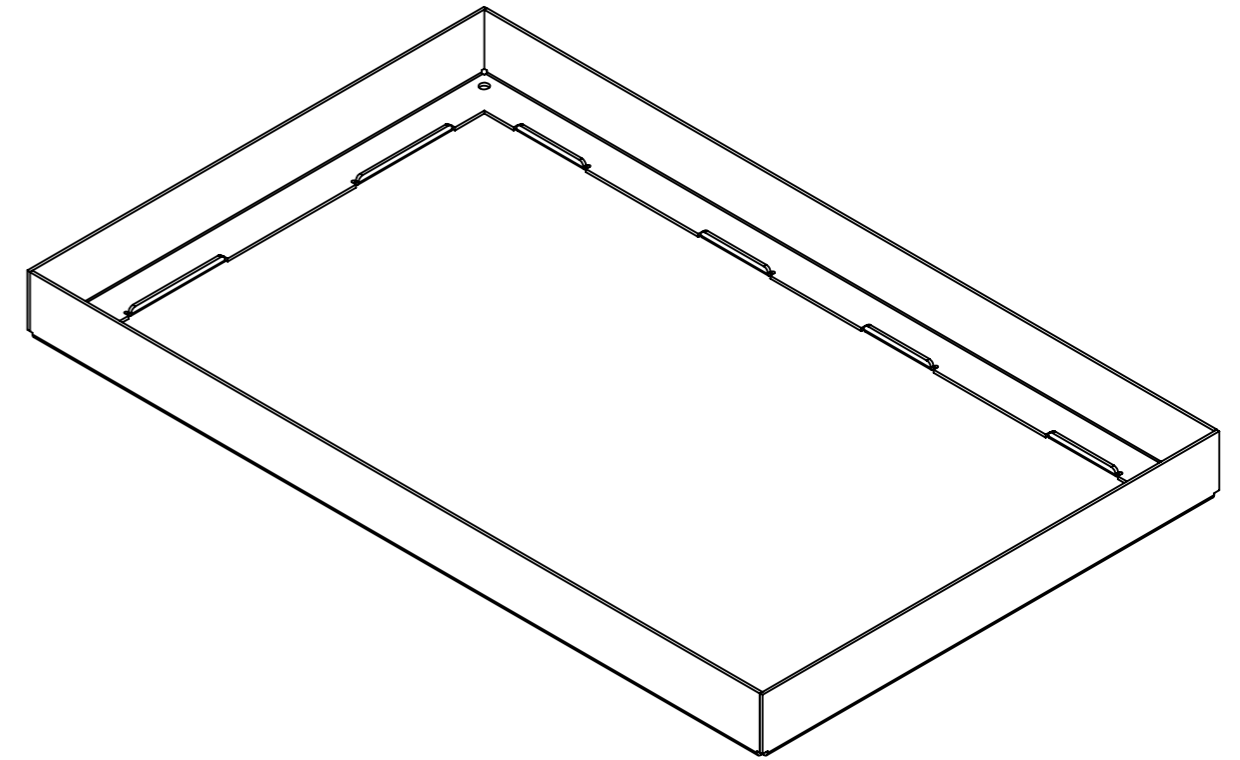
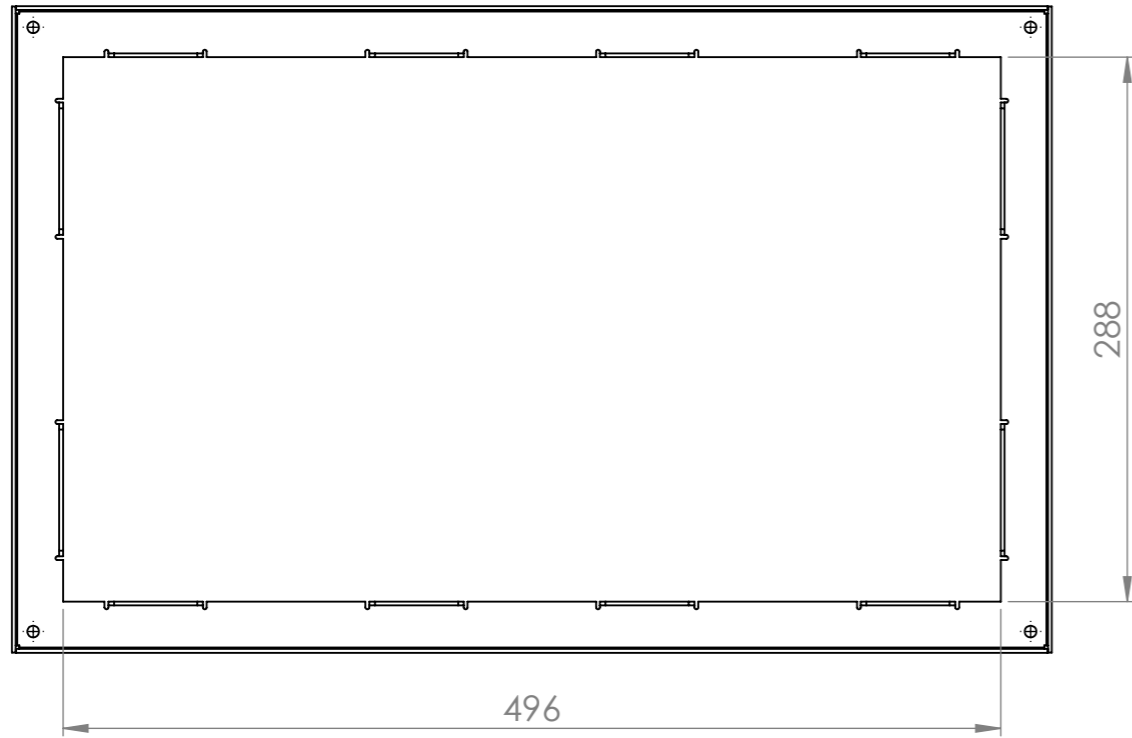
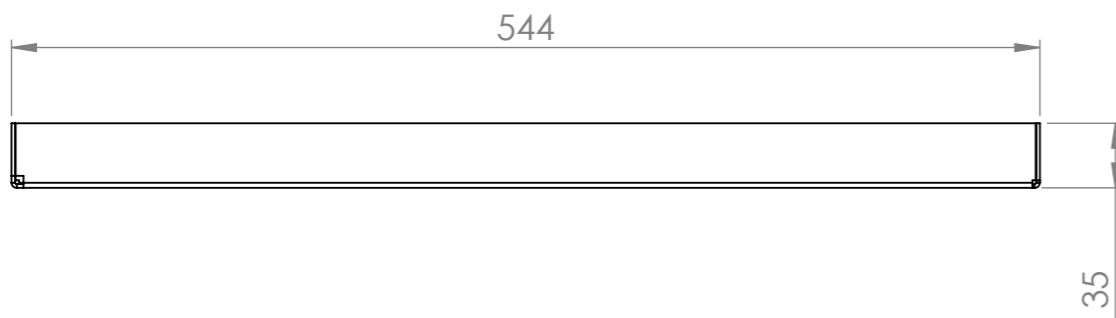
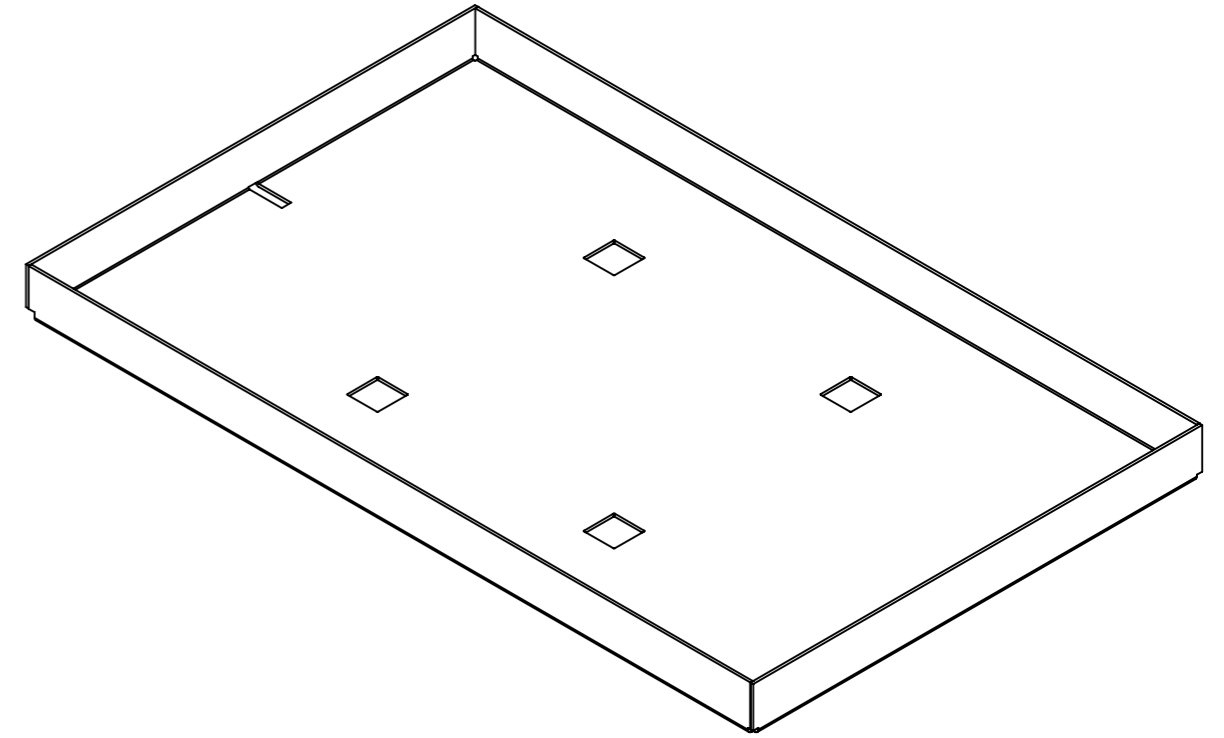
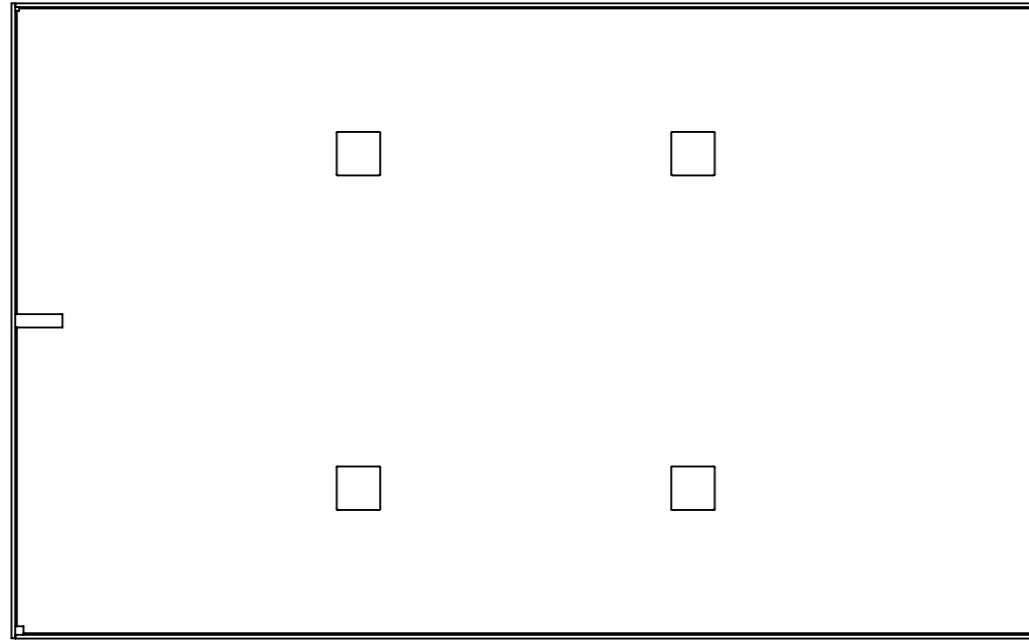


Skimmer Lids 26 Link Drive YATALA QLD 4207				DO NOT SCALE DRAWING		REVISION
				TITLE:		
DRAWN	NAME	SIGNATURE	DATE	MATERIAL:		
	M.P.J.		23/06/2025	DWG NO. H 550x342 x 30 Kit		
CHK'D				A3		
APPV'D				SCALE:1:4		
MFG				SHEET 1 OF 3		
Q.A				WEIGHT:		



Skimmer Lids 26 Link Drive YATALA QLD 4207				DO NOT SCALE DRAWING		REVISION	
	NAME	SIGNATURE	DATE		TITLE:		
DRAWN	M.P.J.		23/06/2025				
CHK'D							
APPV'D							
MFG							
Q.A				MATERIAL:	DWG NO. H 550x342 x 30 Kit		A3
				WEIGHT:	SCALE:1:4	SHEET 2 OF 3	



Skimmer Lids 26 Link Drive YATALA QLD 4207				DO NOT SCALE DRAWING	REVISION
DRAWN	NAME	SIGNATURE	DATE	TITLE:	
	M.P.J.		23/06/2025		
CHK'D					
APPV'D					
MFG					
Q.A			MATERIAL:	DWG NO.	H 550x342 x 30 Kit
			WEIGHT:	SCALE:1:4	A3
				SHEET 3 OF 3	