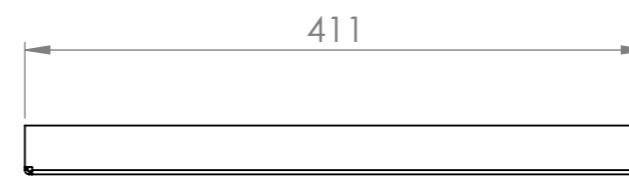
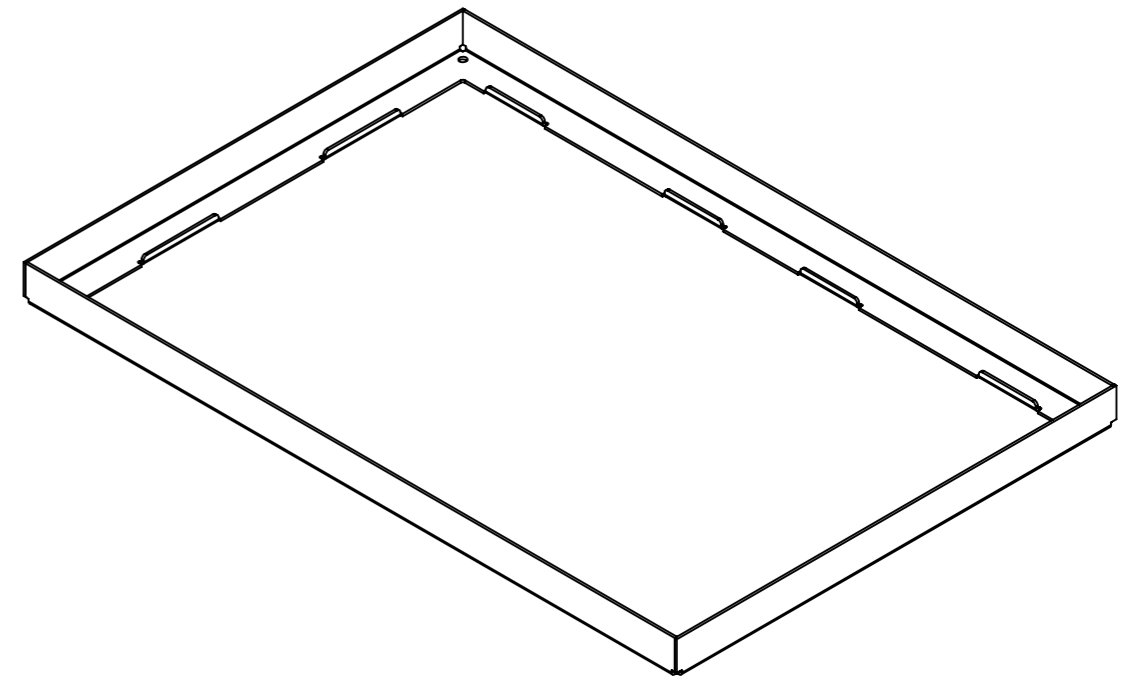
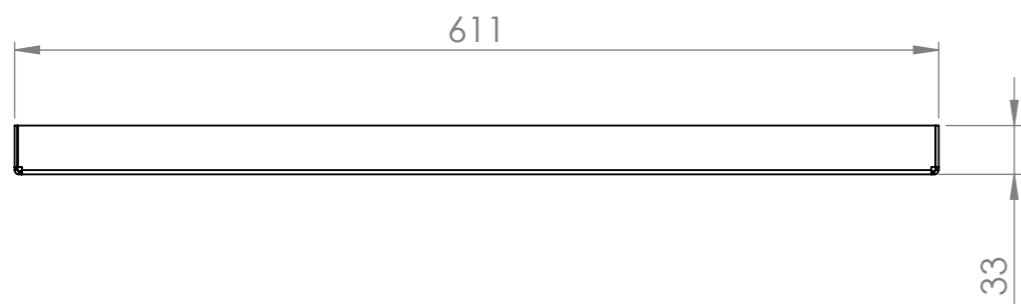
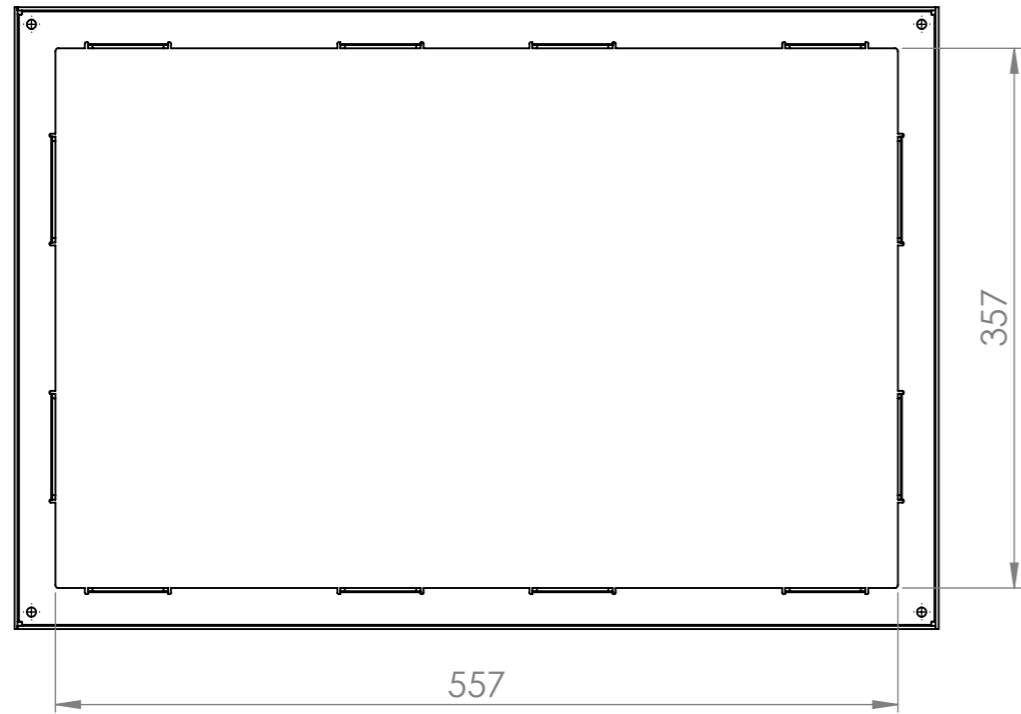
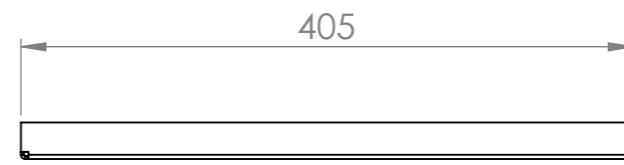
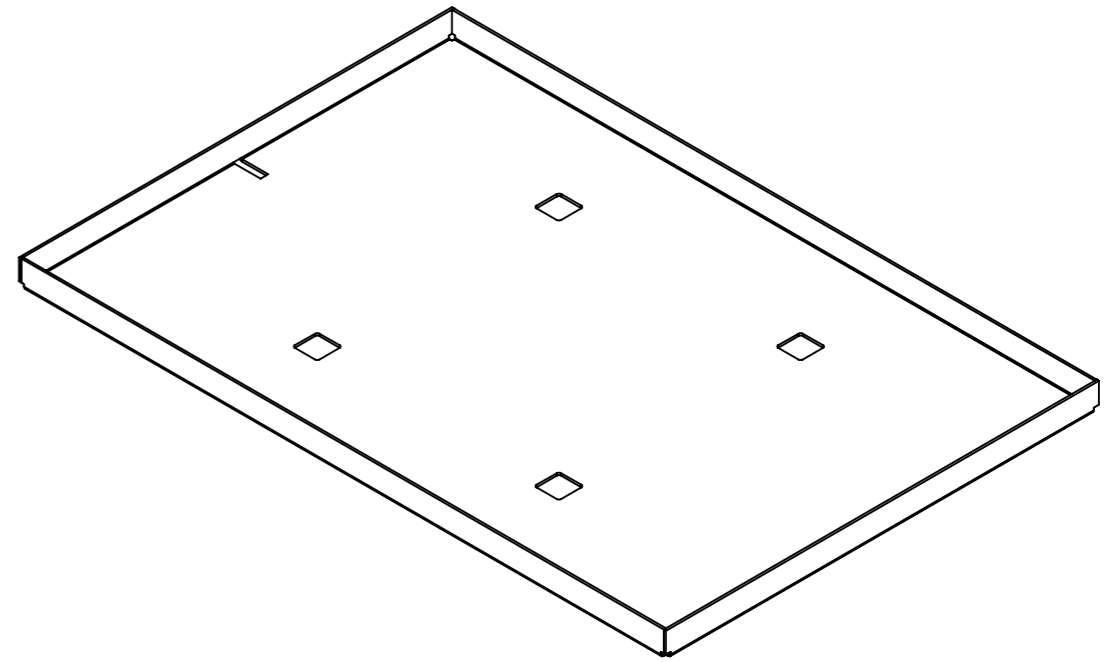
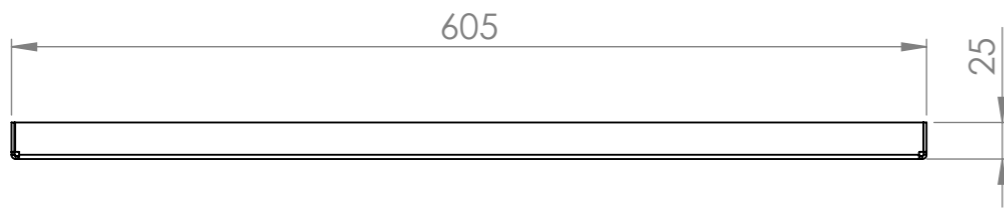
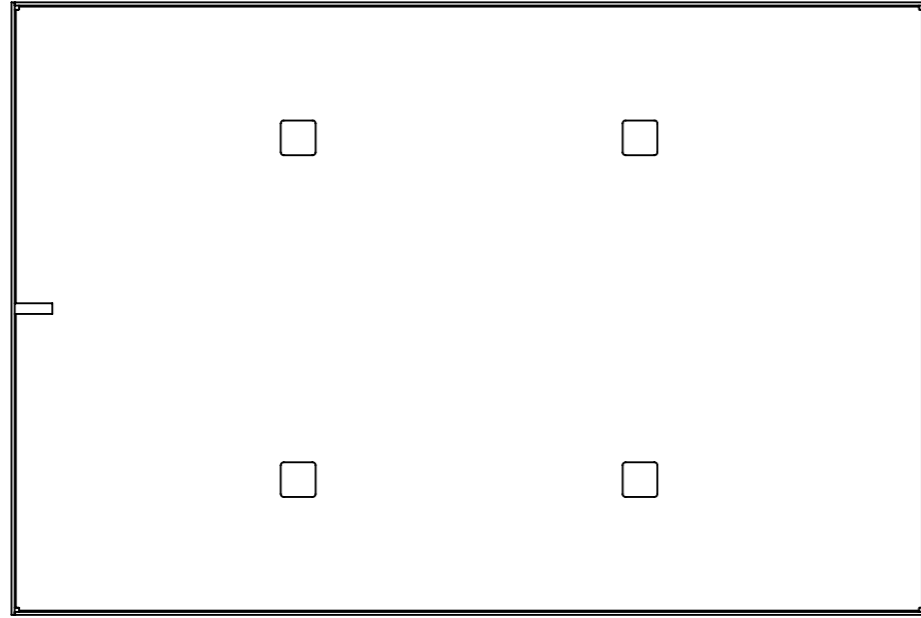


Skimmer Lids 26 Link Drive YATALA QLD 4207				DO NOT SCALE DRAWING	REVISION
	NAME	SIGNATURE	DATE	TITLE:	
DRAWN	M.P.J.		23/06/2025		
CHK'D					
APPV'D					
MFG					
Q.A				MATERIAL:	DWG NO. HAC611x411x20
				WEIGHT:	
				SCALE:1:5	SHEET 1 OF 3



Skimmer Lids 26 Link Drive YATALA QLD 4207				DO NOT SCALE DRAWING		REVISION	
	NAME	SIGNATURE	DATE		TITLE:		
DRAWN	M.P.J.		23/06/2025				
CHK'D							
APPV'D							
MFG							
Q.A				MATERIAL:	DWG NO. HAC611x411x20		A3
				WEIGHT:	SCALE:1:5	SHEET 2 OF 3	



Skimmer Lids 26 Link Drive YATALA QLD 4207				DO NOT SCALE DRAWING	REVISION
DRAWN	NAME	SIGNATURE	DATE	TITLE:	
	M.P.J.		23/06/2025		
CHK'D					
APPV'D					
MFG					
Q.A			MATERIAL:	DWG NO.	HAC611x411x20
			WEIGHT:	SCALE:1:5	A3
				SHEET 3 OF 3	