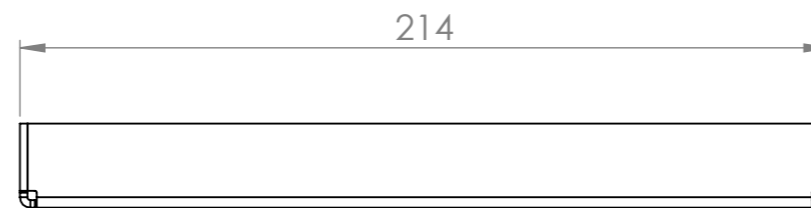
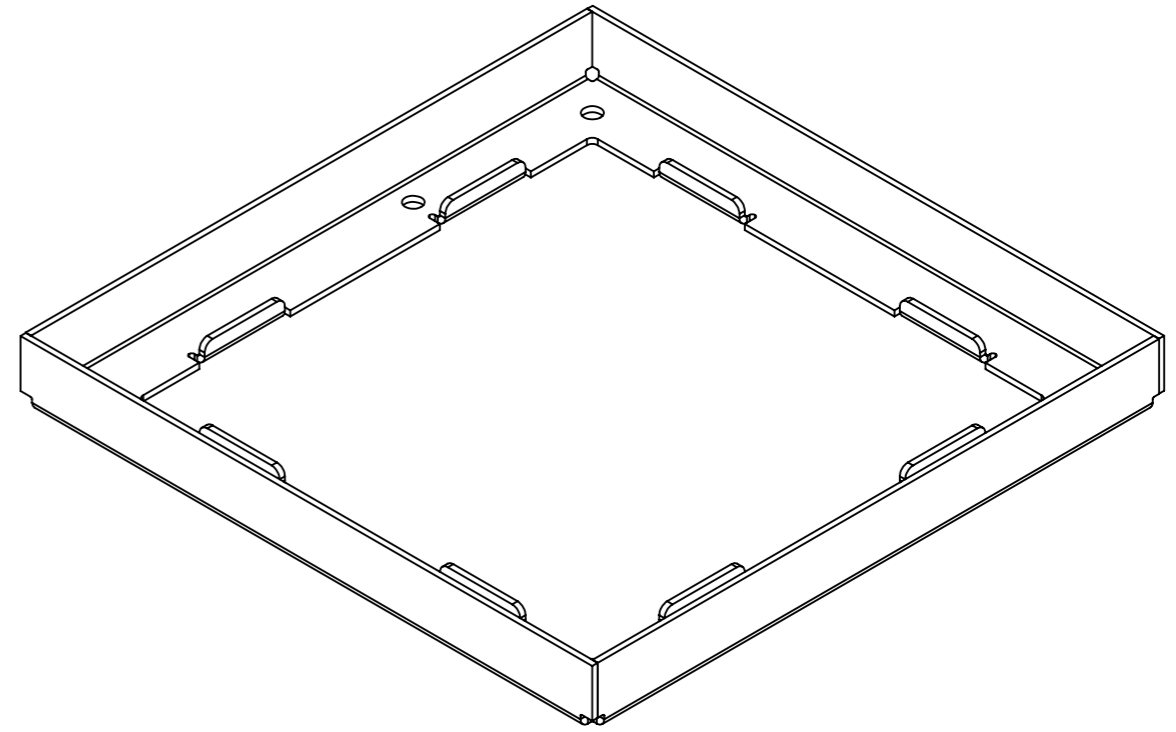
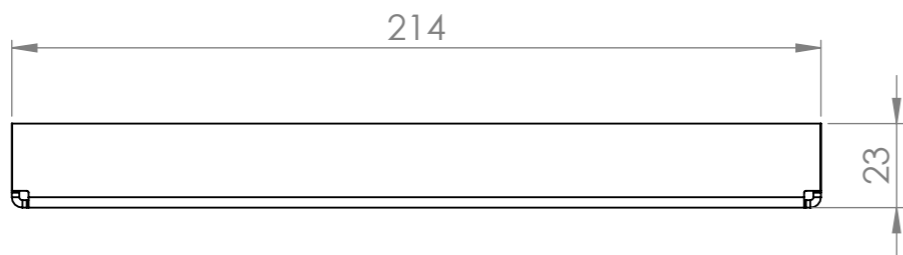
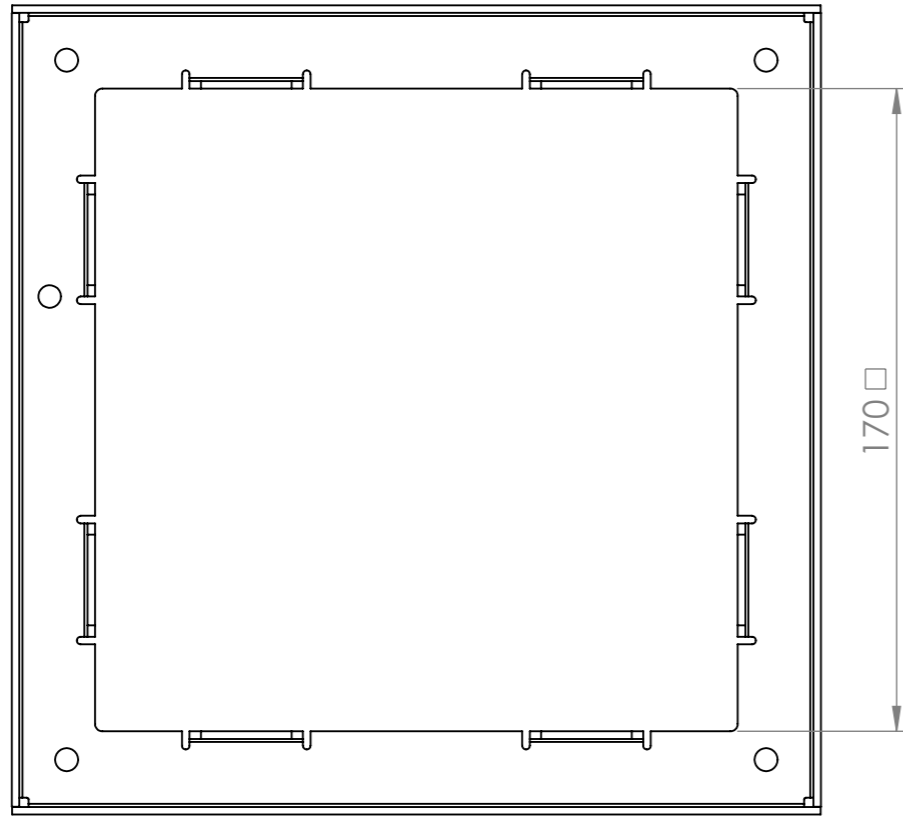
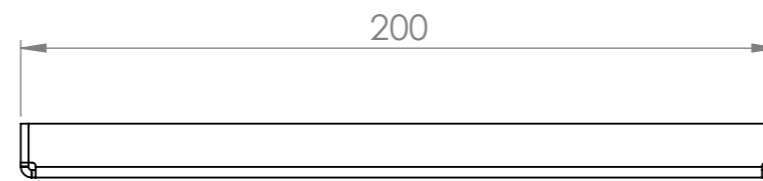
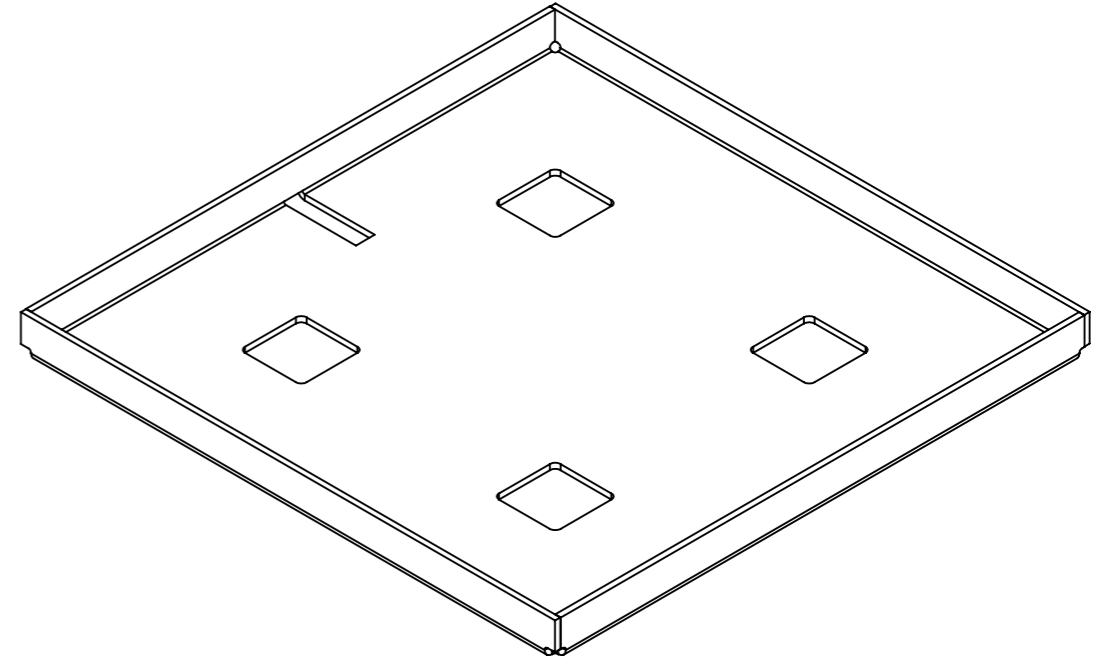
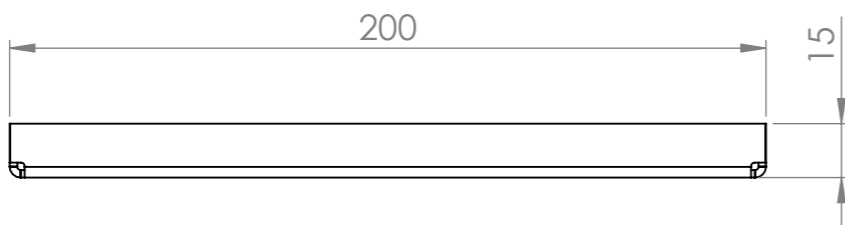
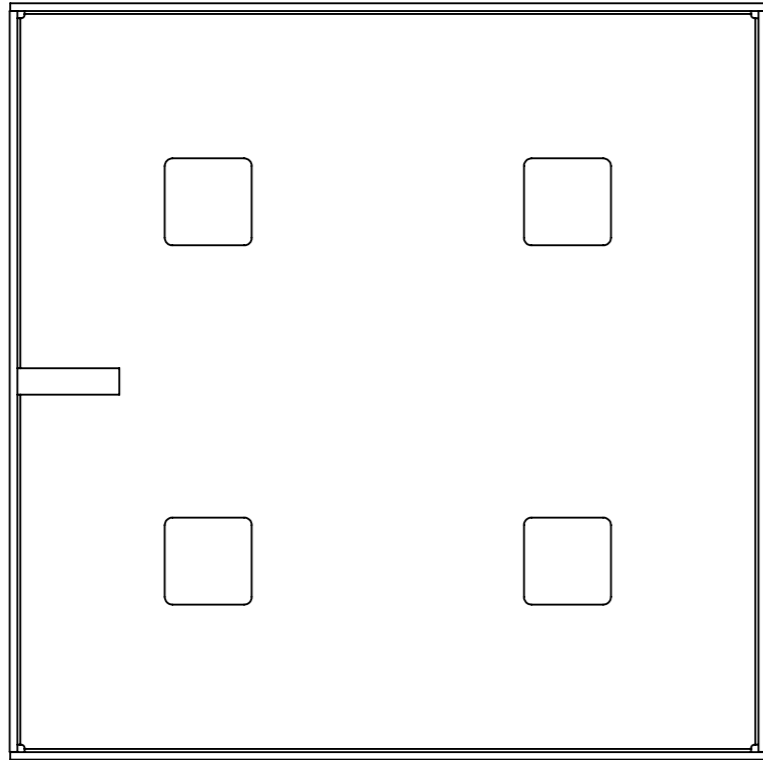


Skimmer Lids 26 Link Drive YATALA QLD 4207				DO NOT SCALE DRAWING		REVISION
				TITLE:		
DRAWN	NAME	SIGNATURE	DATE	MATERIAL:		
	M.P.J.		14/04/2025	DWG NO. 214 x 10 kit		
CHK'D				A3		
APPV'D				SCALE: 1:2		
MFG				SHEET 1 OF 3		
Q.A				WEIGHT:		



Skimmer Lids 26 Link Drive YATALA QLD 4207				DO NOT SCALE DRAWING		REVISION	
DRAWN	NAME	SIGNATURE	DATE		TITLE:		
	M.P.J.		14/04/2025				
CHK'D							
APPV'D							
MFG							
Q.A				MATERIAL:	DWG NO.		A3
					214 x 10 kit		
				WEIGHT:	SCALE:1:2	SHEET 2 OF 3	



Skimmer Lids 26 Link Drive YATALA QLD 4207				DO NOT SCALE DRAWING		REVISION	
DRAWN	NAME	SIGNATURE	DATE	TITLE:			
	M.P.J.		14/04/2025				
CHK'D							
APPV'D							
MFG							
Q.A				MATERIAL:		DWG NO.	
						214 x 10 kit	
				WEIGHT:		SCALE:1:2	
						SHEET 3 OF 3	
						A3	