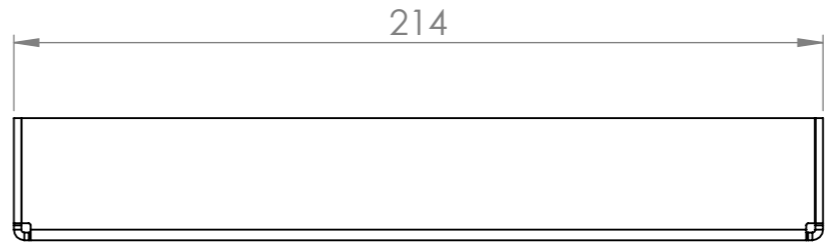
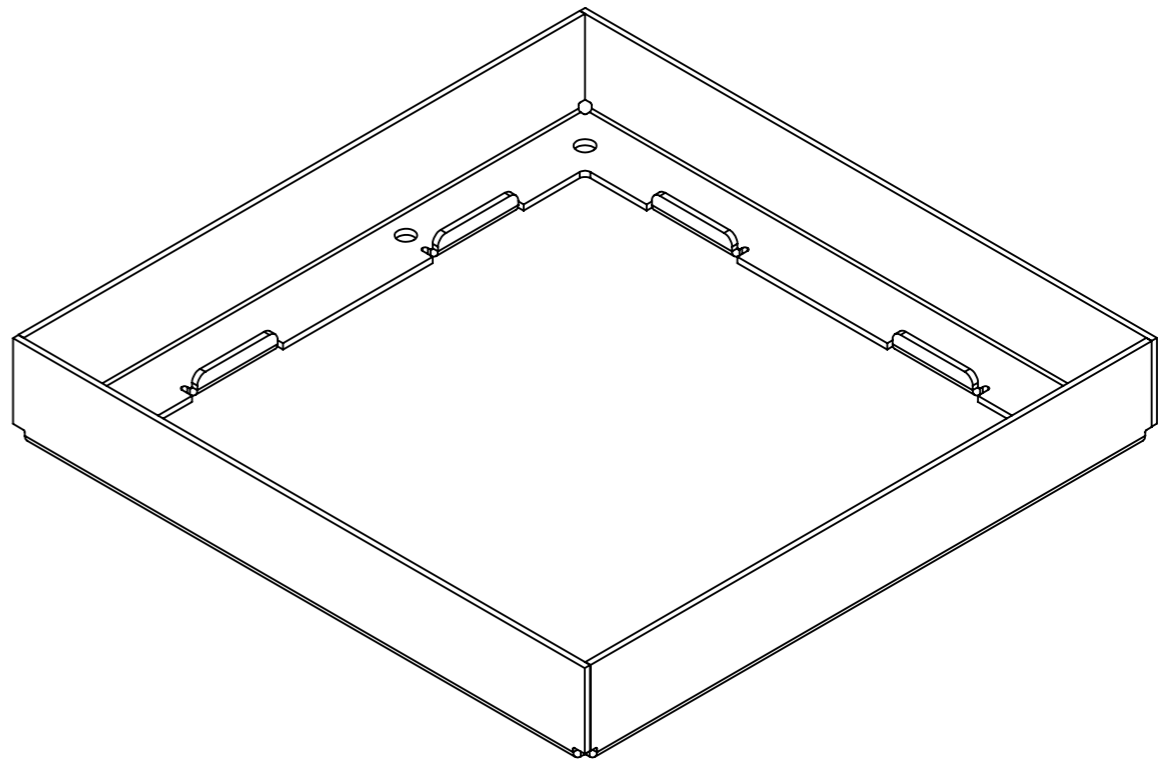
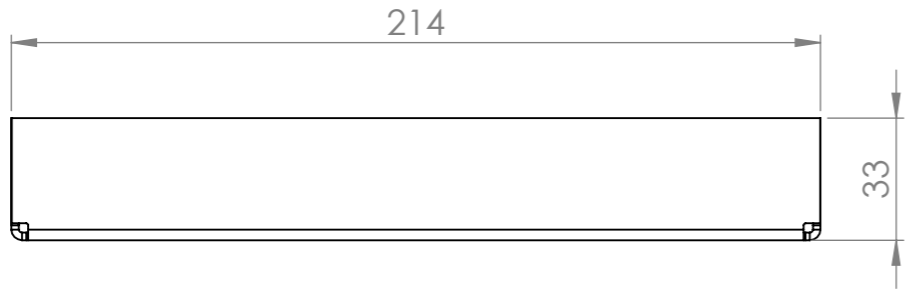
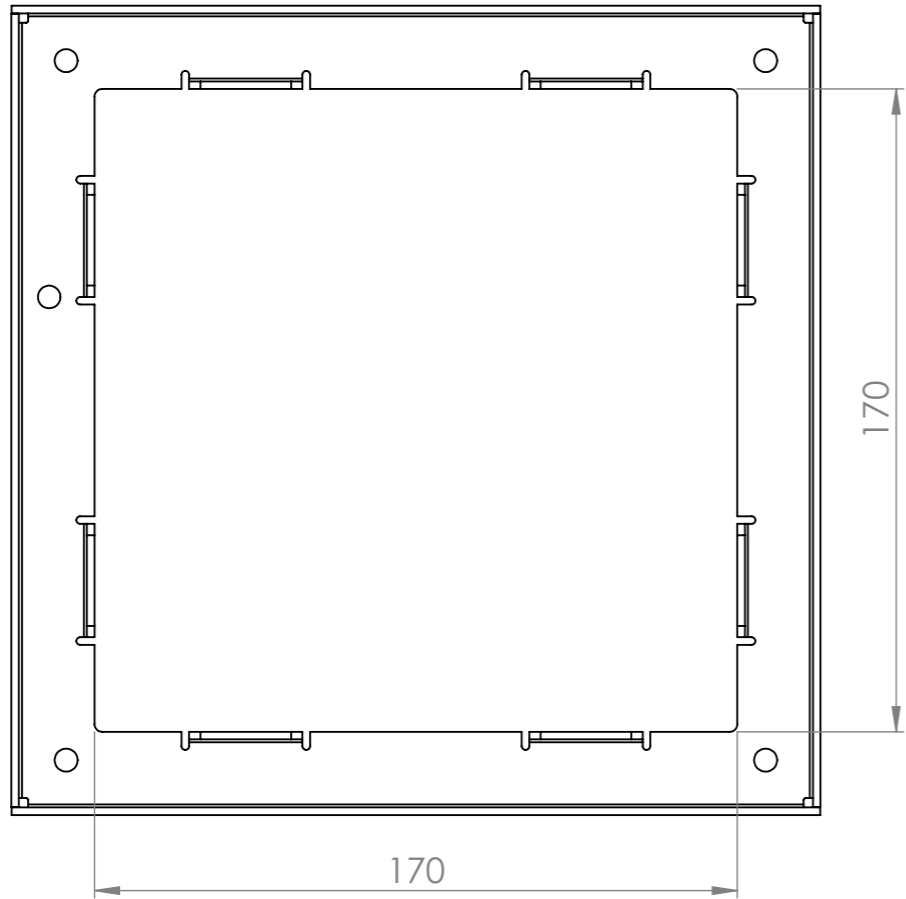
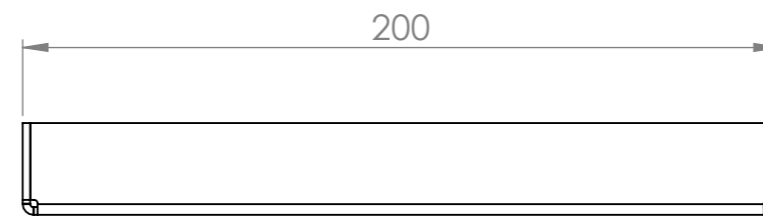
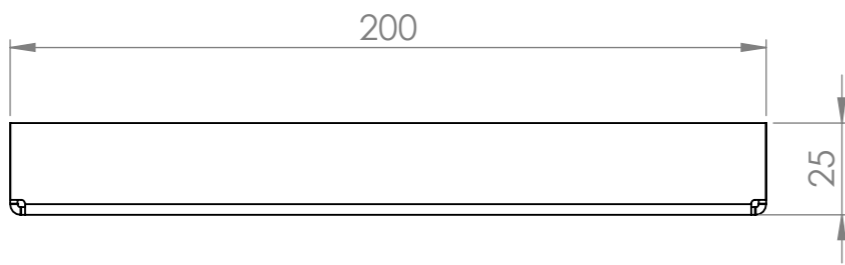
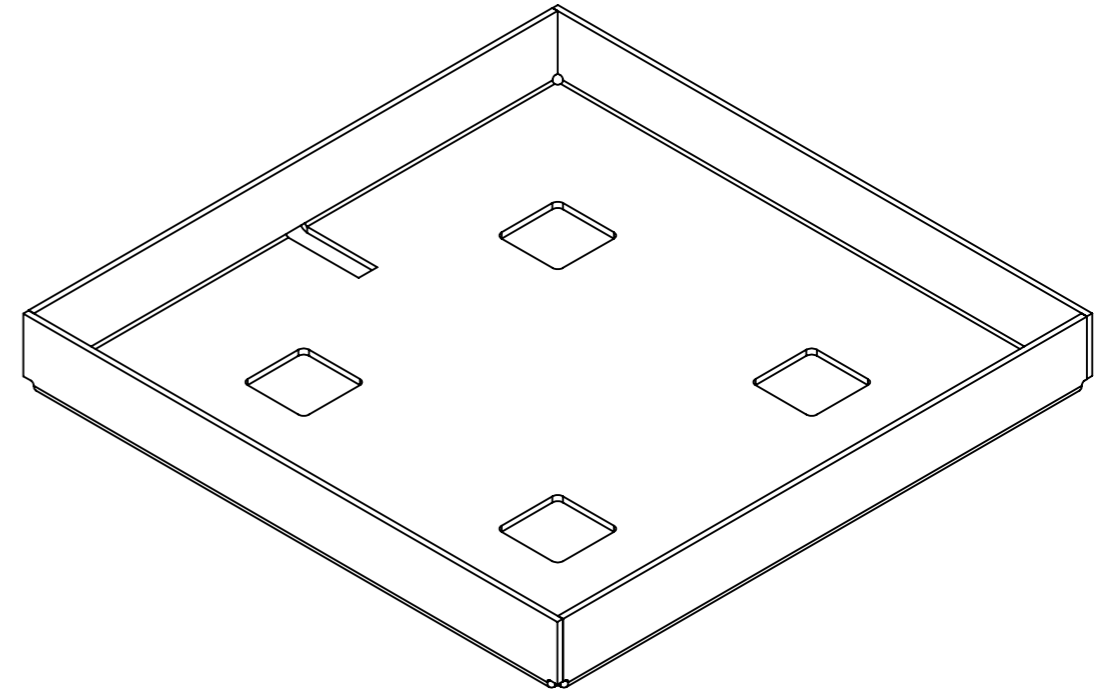
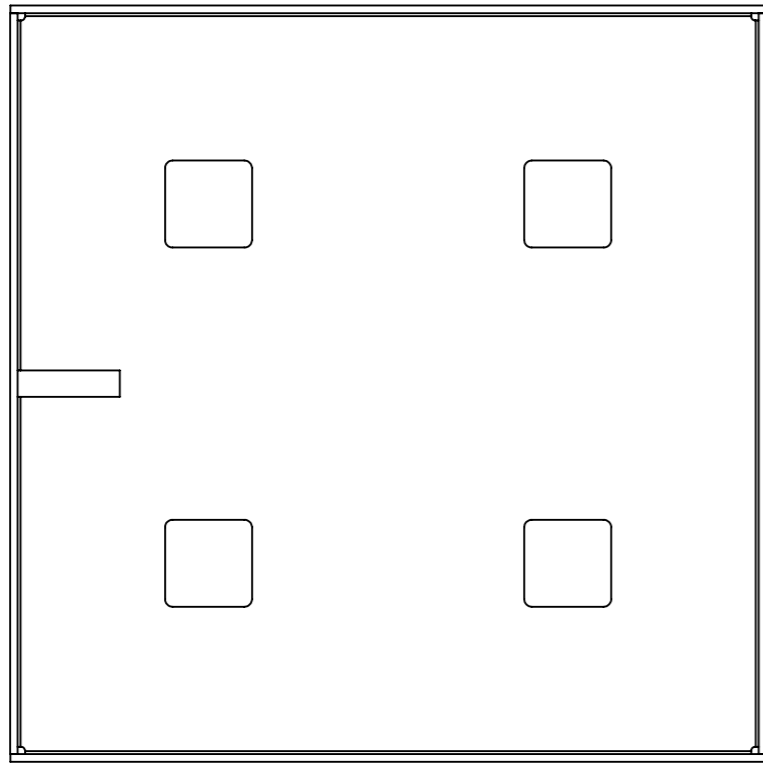


<p style="text-align: center;">Skimmer Lids 26 Link Drive YATALA QLD 4207</p>				DO NOT SCALE DRAWING		REVISION		
	NAME	SIGNATURE	DATE	TITLE:				
DRAWN	M.P.J.		14/04/2025					
CHK'D								
APPV'D								
MFG								
Q.A				MATERIAL:		DWG NO. <b>HDC 214 x 20</b>		A3
				WEIGHT:				
				SCALE:1:2		SHEET 1 OF 3		



Skimmer Lids 26 Link Drive YATALA QLD 4207				DO NOT SCALE DRAWING		REVISION	
DRAWN	NAME	SIGNATURE	DATE	TITLE:			
	M.P.J.		14/04/2025				
CHK'D							
APPV'D							
MFG							
Q.A				MATERIAL:		DWG NO. <b>HDC 214 x 20</b>	
				WEIGHT:		SCALE:1:2	
						SHEET 2 OF 3	
						A3	



Skimmer Lids 26 Link Drive YATALA QLD 4207				DO NOT SCALE DRAWING		REVISION	
	NAME	SIGNATURE	DATE			TITLE:	
DRAWN	M.P.J.		14/04/2025				
CHK'D							
APPV'D							
MFG							
Q.A				MATERIAL:		DWG NO.	HDC 214 x 20
							A3
				WEIGHT:		SCALE:1:2	SHEET 3 OF 3