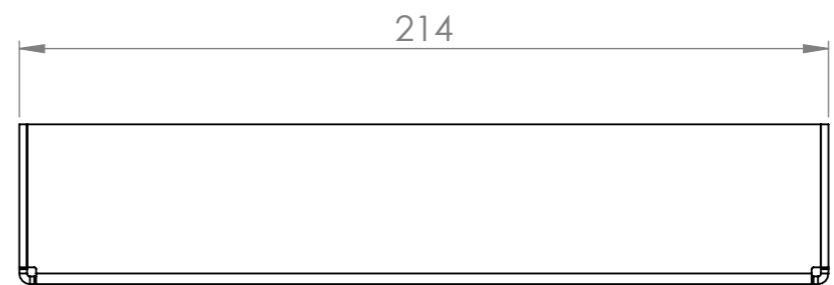
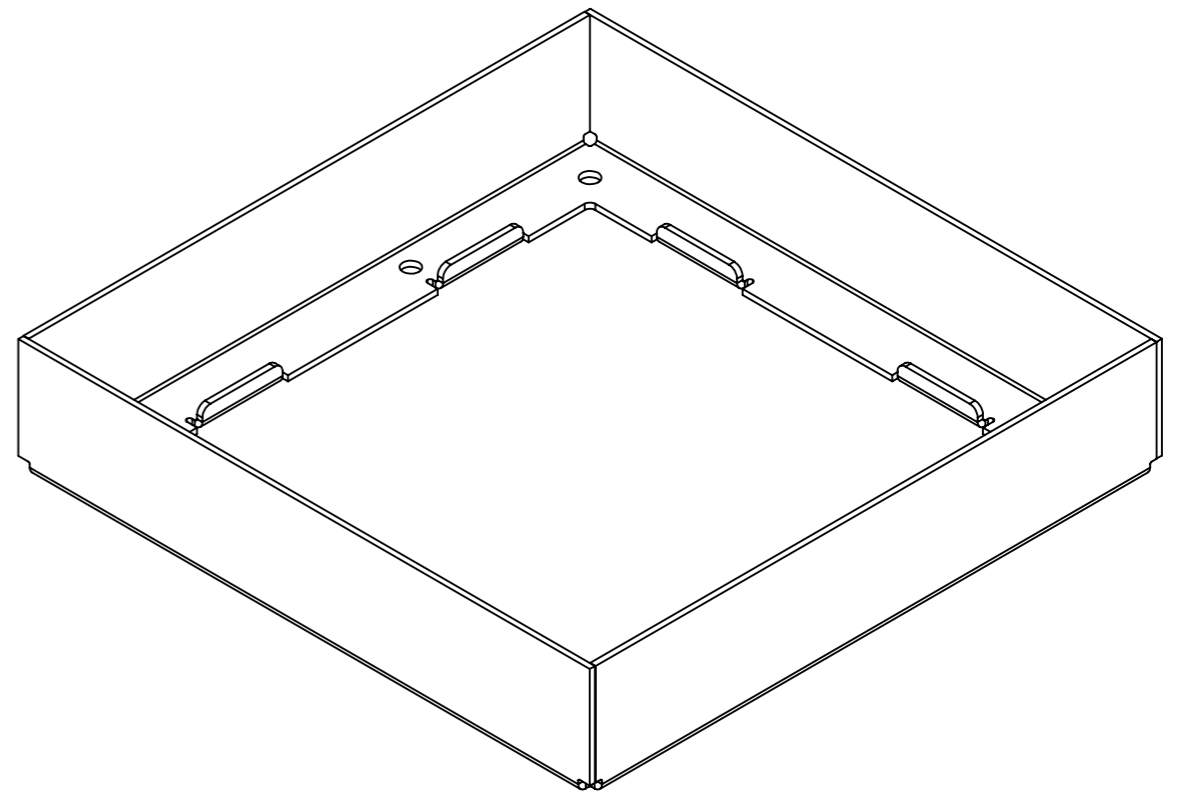
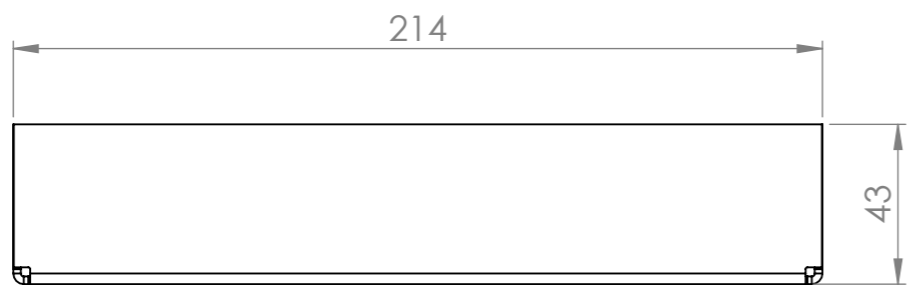
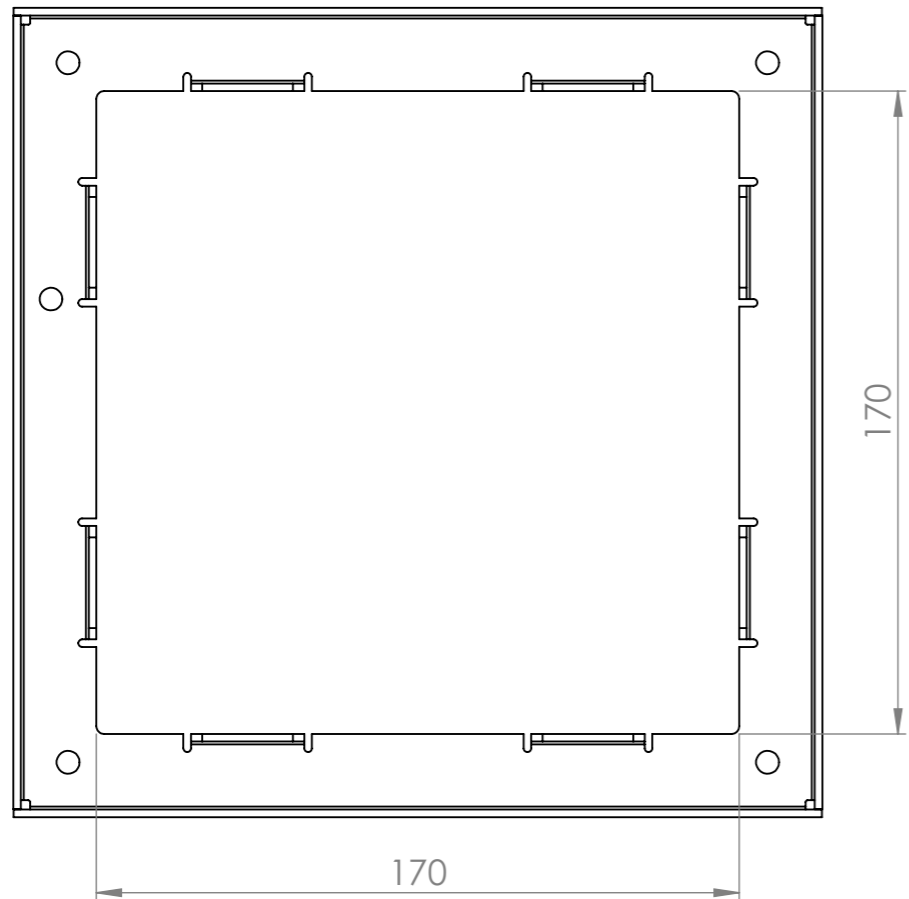


Skimmer Lids 26 Link Drive YATALA QLD 4207				DO NOT SCALE DRAWING	REVISION
DRAWN	NAME	SIGNATURE	DATE	TITLE:	
	M.P.J.		14/04/2025		
CHK'D					
APPV'D					
MFG					
Q.A			MATERIAL:	DWG NO.	HDC214 x 30
			WEIGHT:	SCALE:1:2	A3
				SHEET 1 OF 3	



Skimmer Lids 26 Link Drive YATALA QLD 4207				DO NOT SCALE DRAWING		REVISION	
DRAWN	NAME	SIGNATURE	DATE		TITLE:		
	M.P.J.		14/04/2025				
CHK'D							
APPV'D							
MFG							
Q.A				MATERIAL:	DWG NO.	HDC214 x 30	
						A3	
				WEIGHT:	SCALE:1:2	SHEET 2 OF 3	

