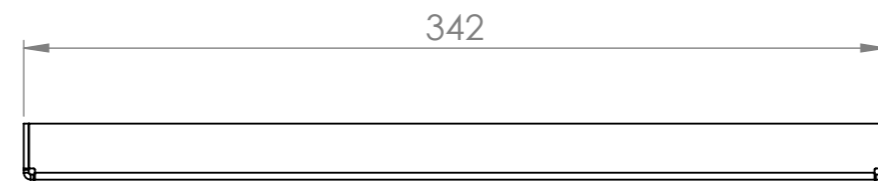
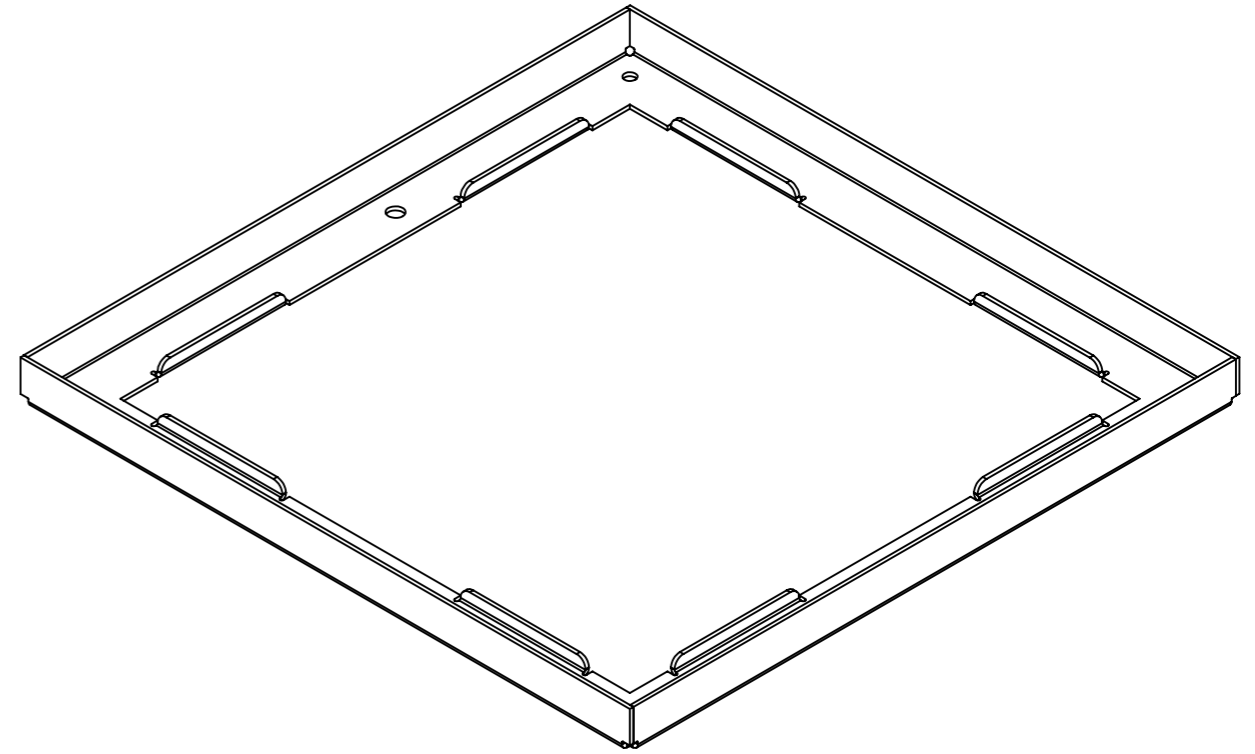
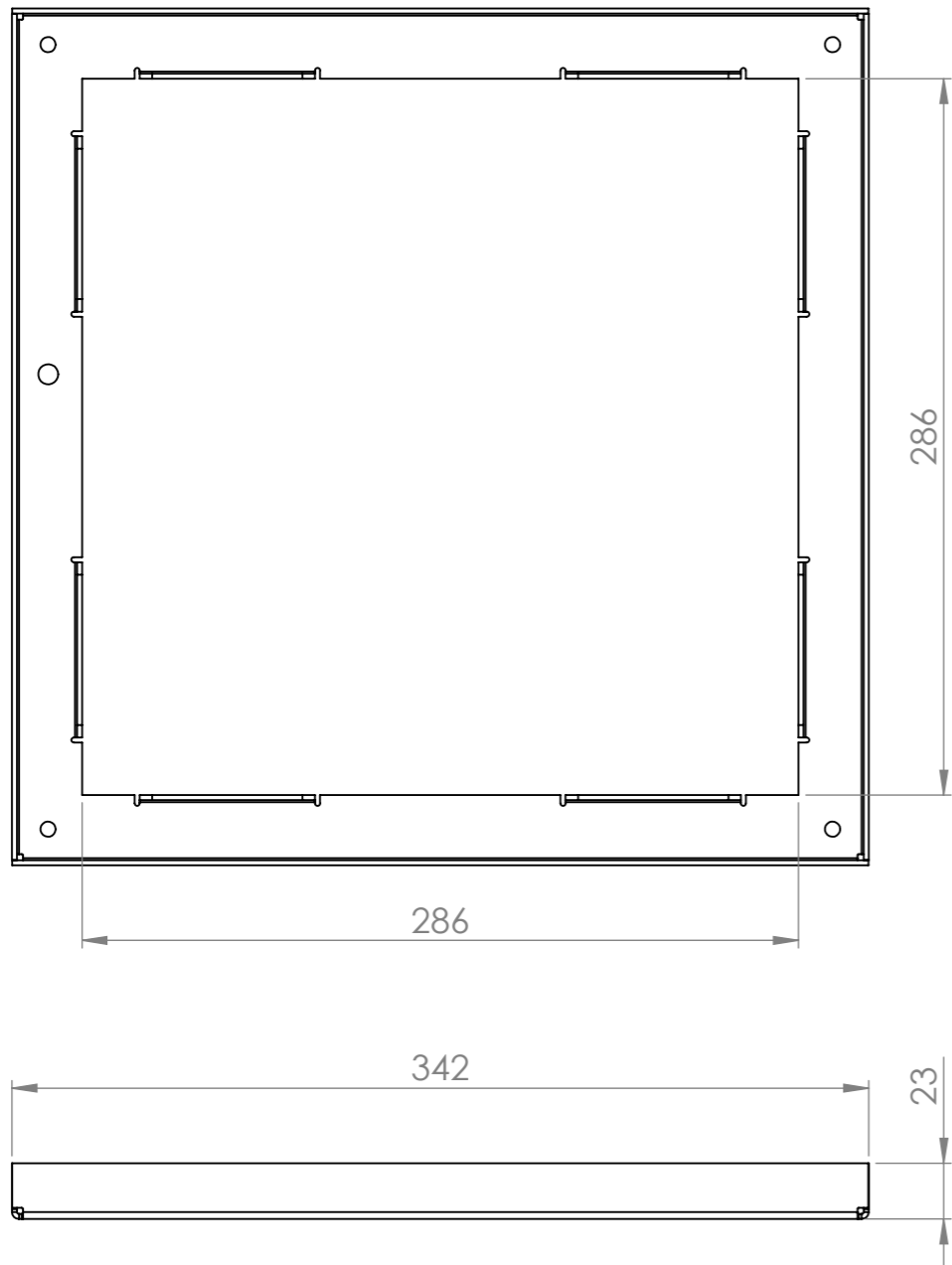


Skimmer Lids 26 Link Drive YATALA QLD 4207				DO NOT SCALE DRAWING		REVISION	
	NAME	SIGNATURE	DATE			TITLE:	
DRAWN	M.P.J.		25/01/2023				
CHK'D							
APPV'D							
MFG							
Q.A				MATERIAL:		DWG NO.	HDC 342 x 10
							A3
				WEIGHT:		SCALE:1:3	SHEET 1 OF 3



Skimmer Lids 26 Link Drive YATALA QLD 4207				DO NOT SCALE DRAWING	REVISION
DRAWN	M.P.J.	SIGNATURE	DATE	TITLE:	
CHK'D			25/01/2023		
APPV'D					
MFG					
Q.A				DWG NO.	HDC 342 x 10
				SCALE:1:3	A3
			WEIGHT:	SHEET 2 OF 3	

