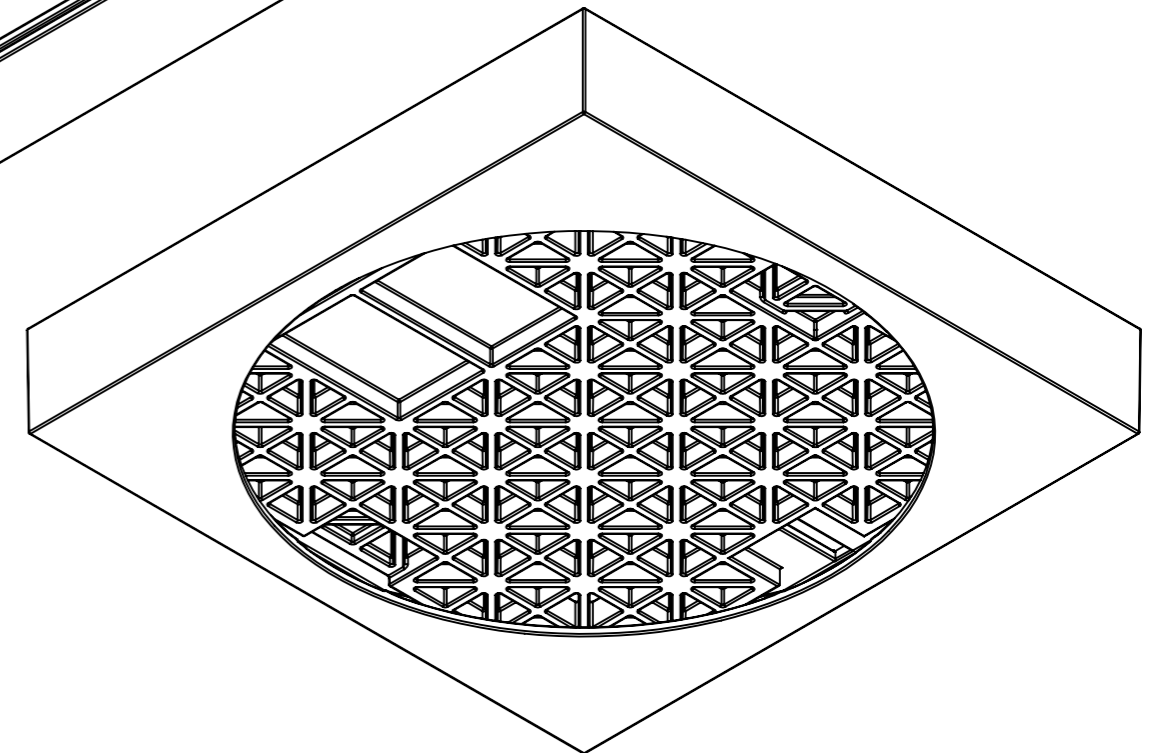
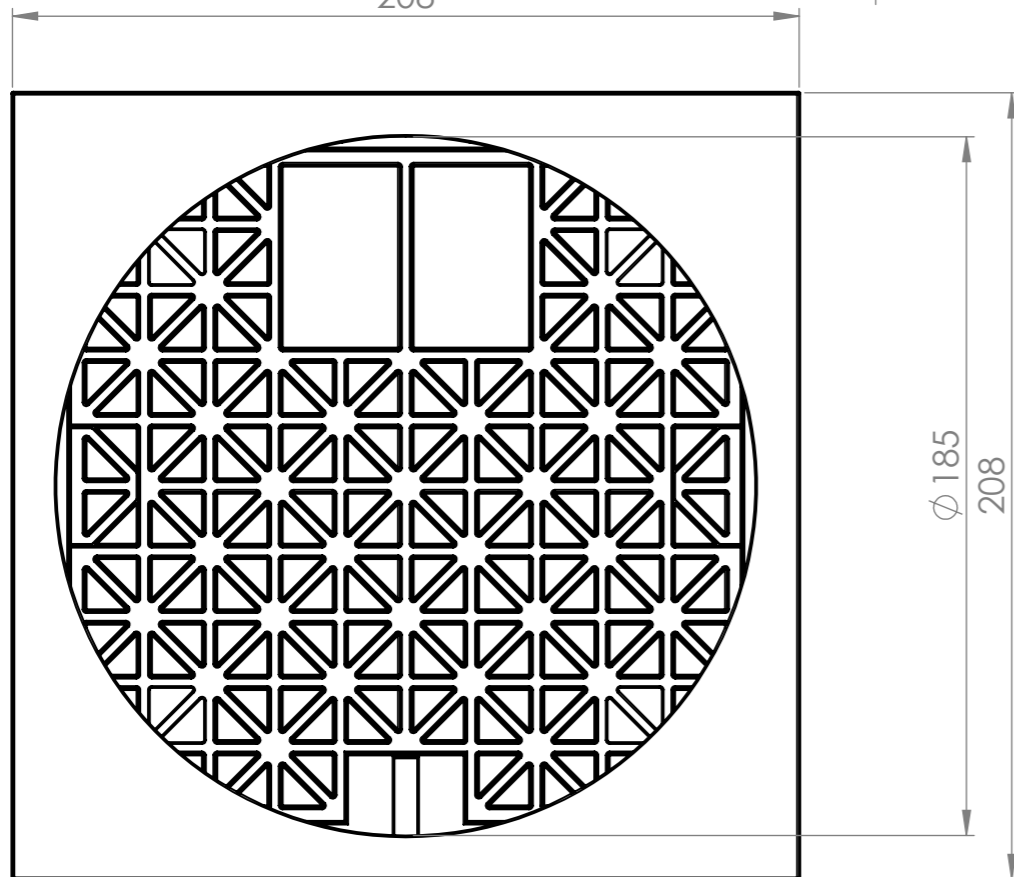
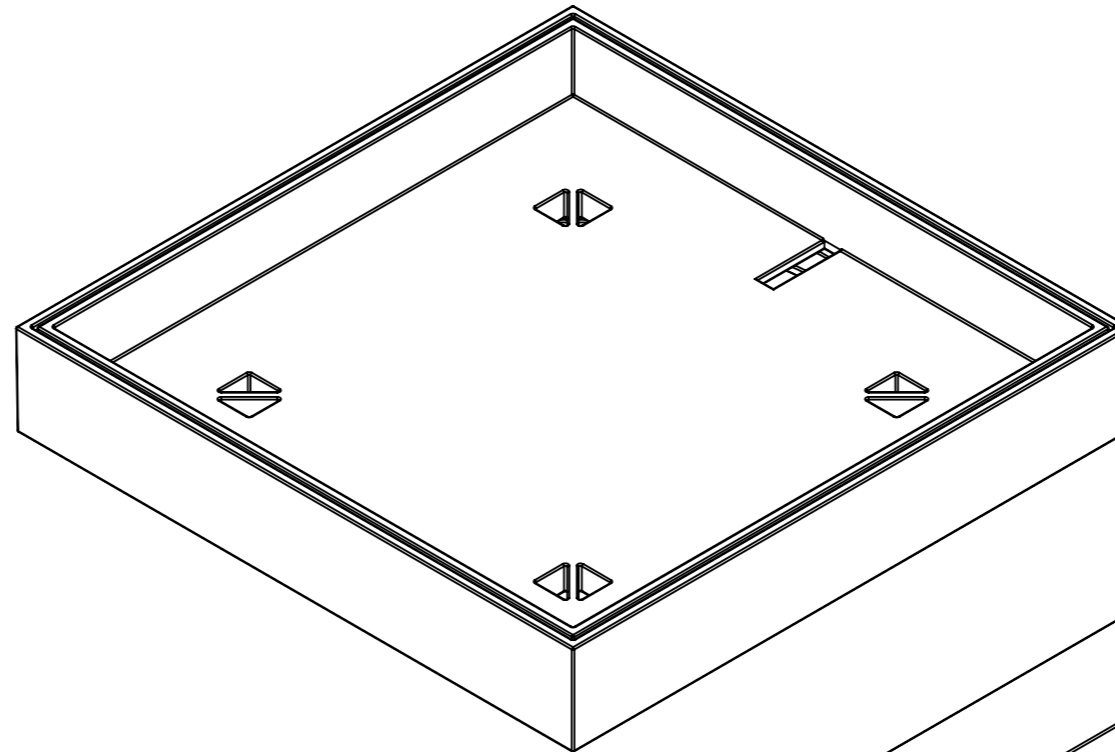
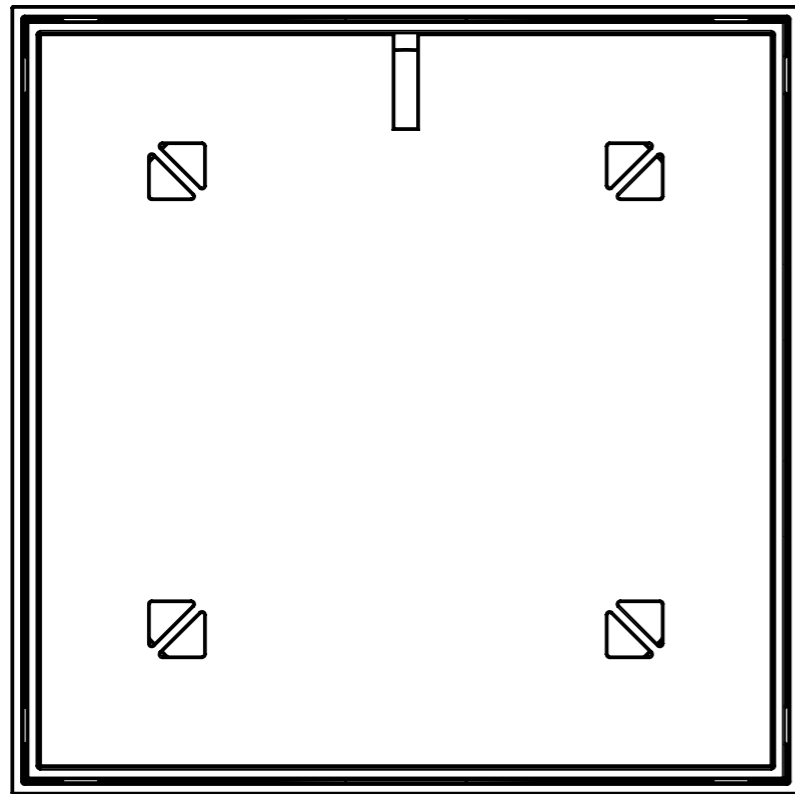
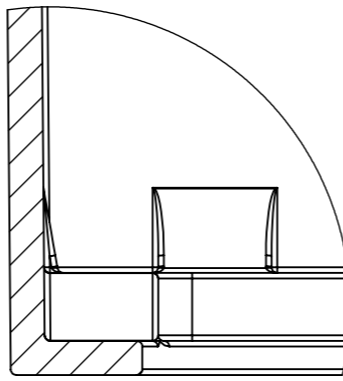
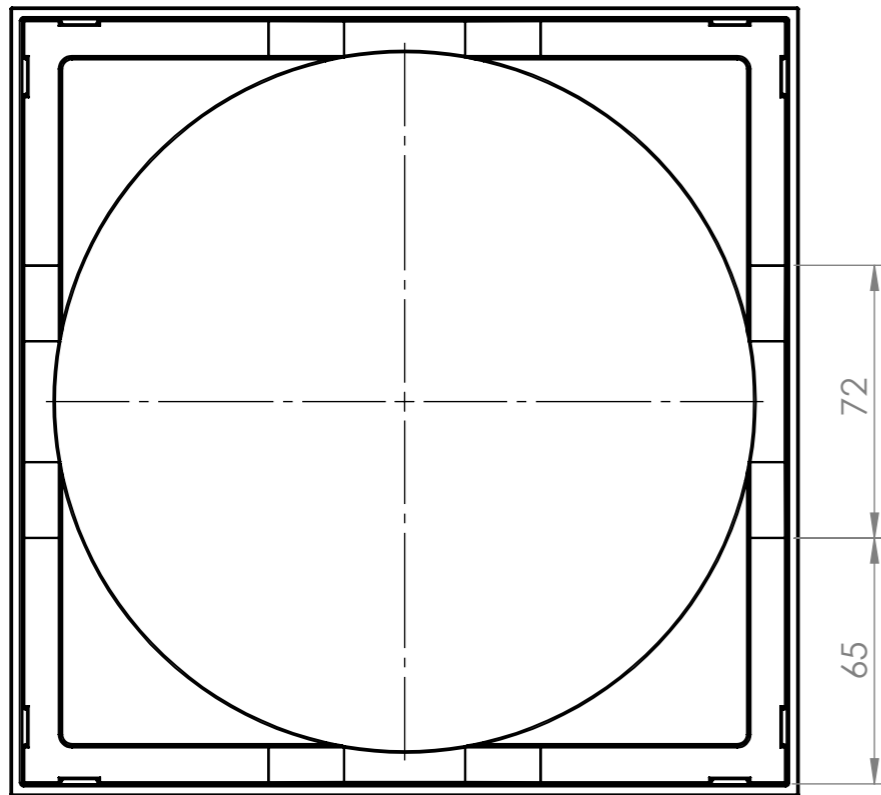


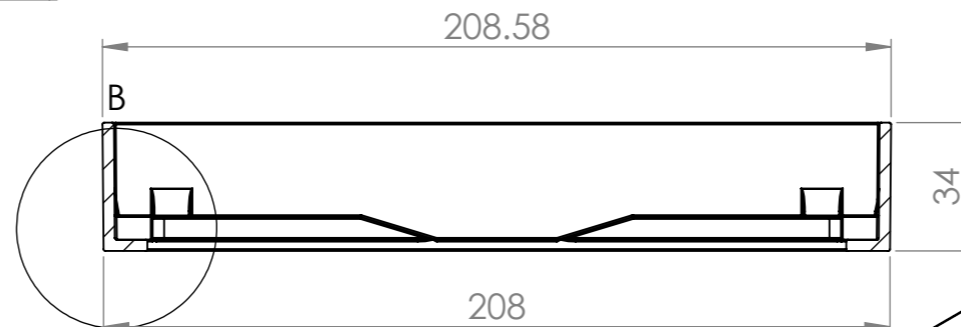
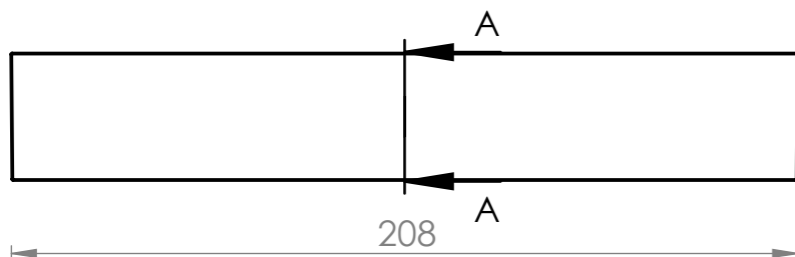
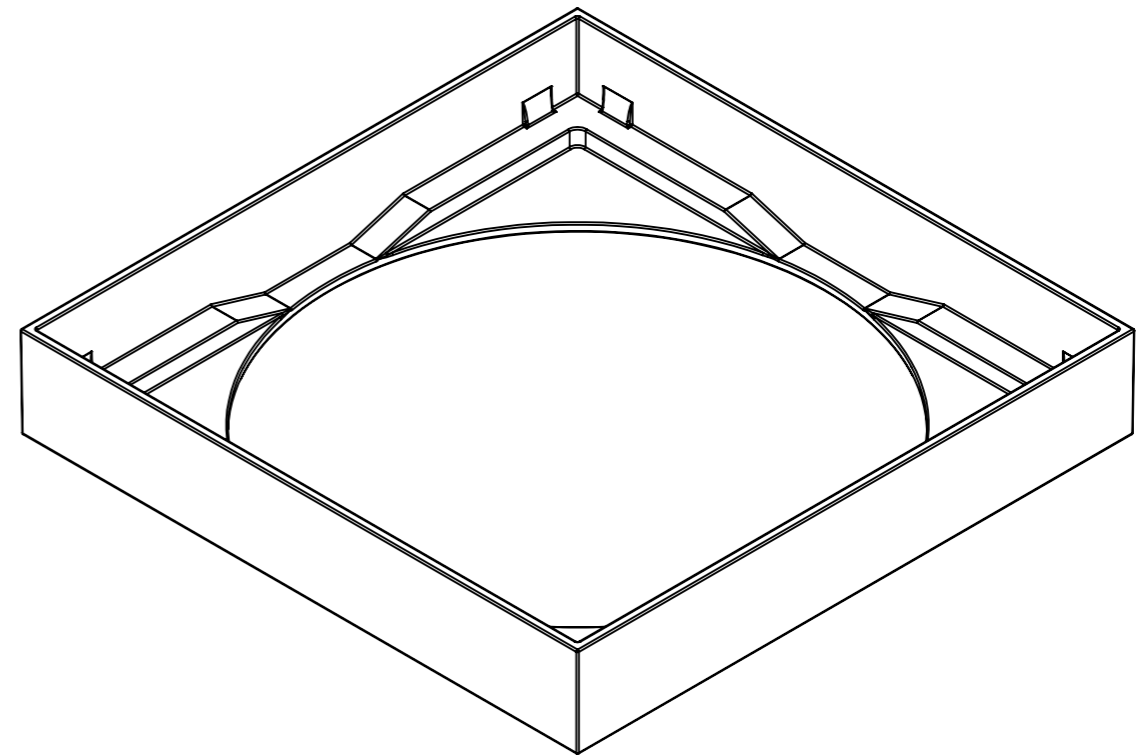
ITEM NO.	PART NUMBER	QTY.
1	SL 200 x 20 Mk3	1
2	PSL 200 x 20	1
3	PRF 206 x 20	1



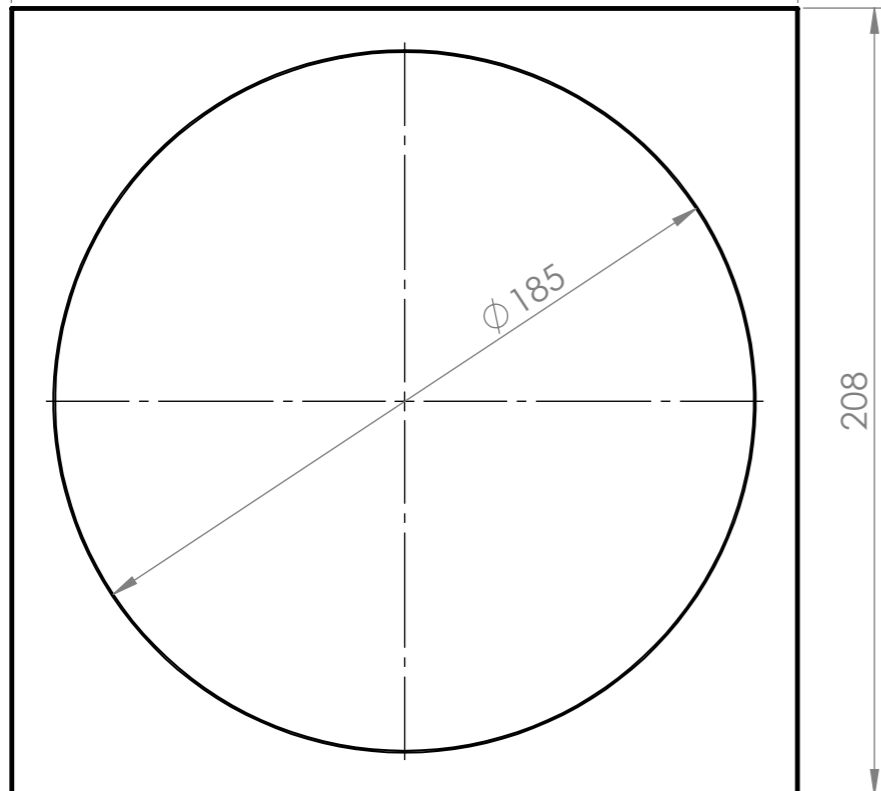
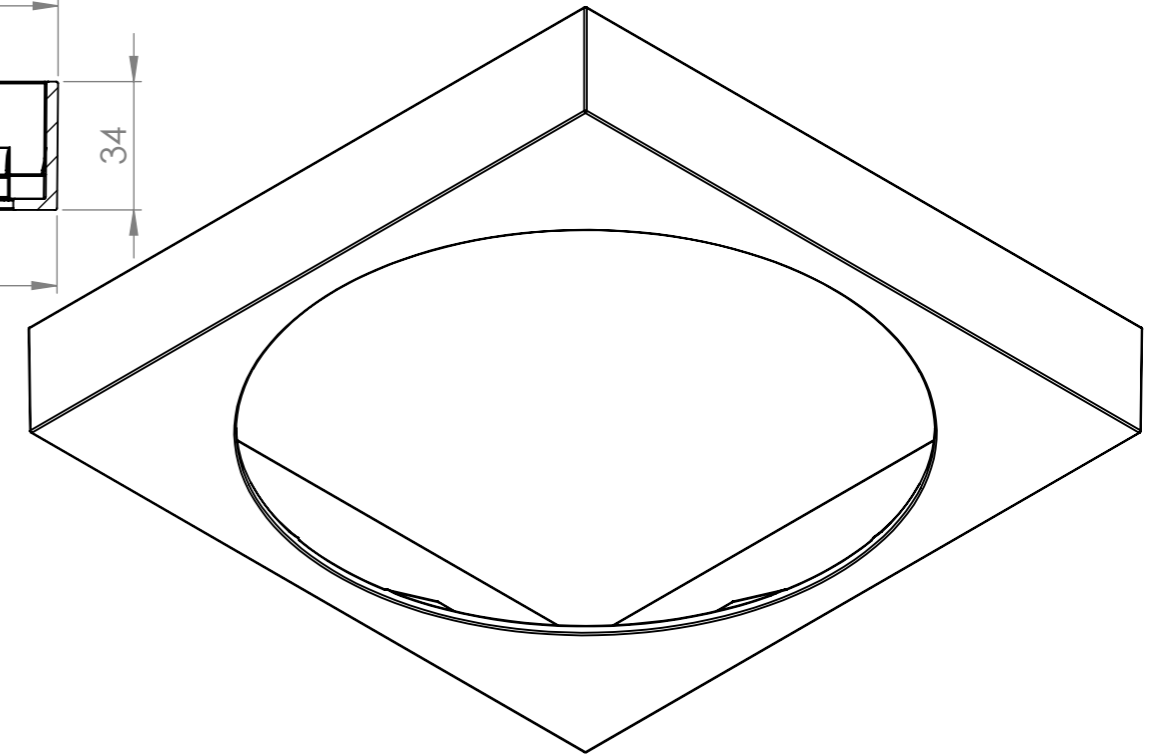
Skimmer Lids 26 Link Drive YATALA QLD 4207				DO NOT SCALE DRAWING	REVISION
DRAWN	NAME	SIGNATURE	DATE	TITLE:	
	M.P.J.		5/08/2021	General Assembly	
CHK'D				DWG NO.	A3
APPV'D				206 x 20 Kit	
MFG				SCALE:1:2	SHEET 1 OF 3
Q.A				WEIGHT:	



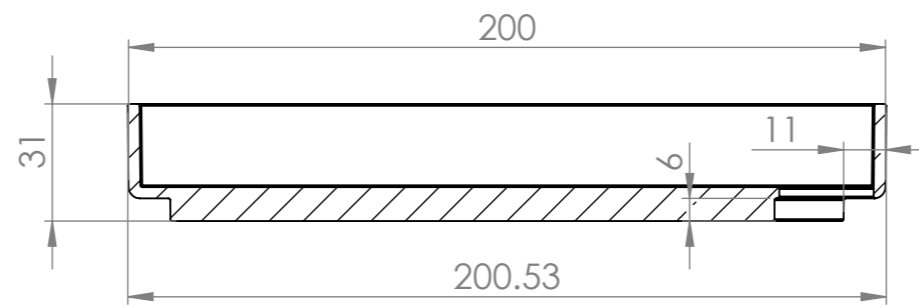
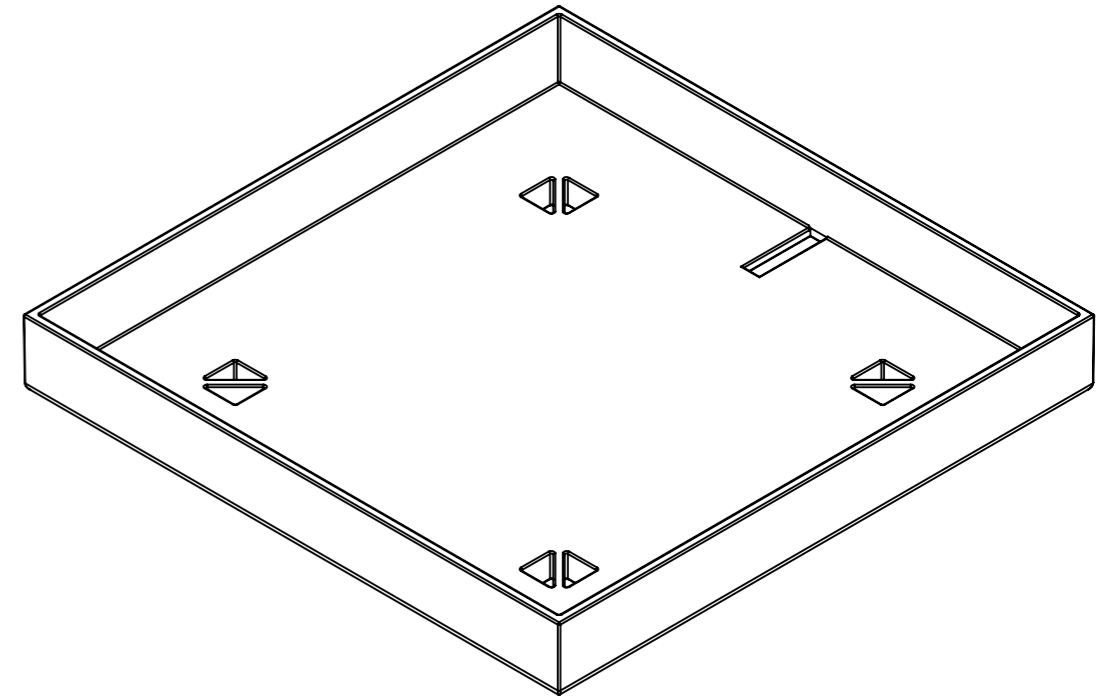
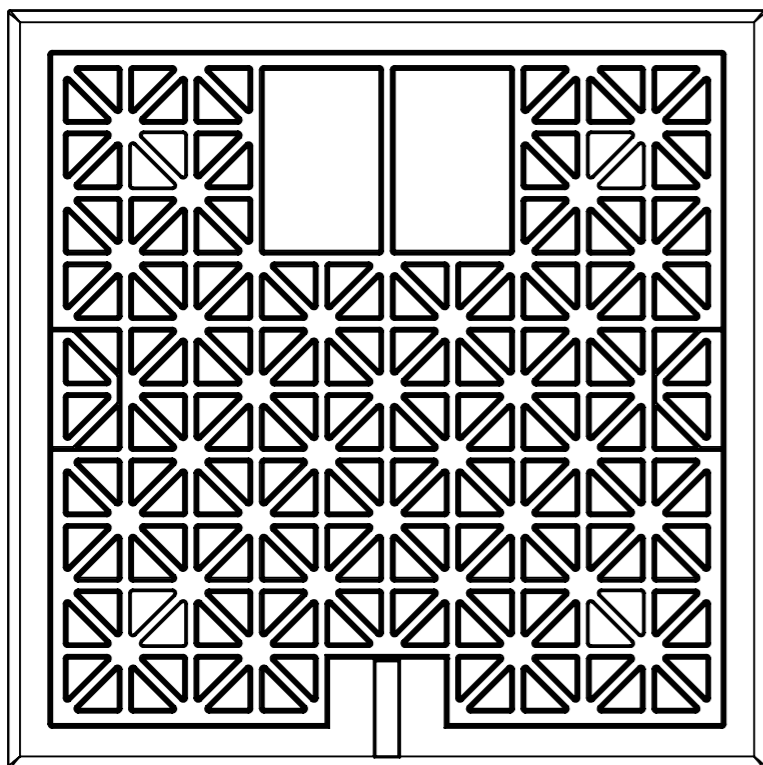
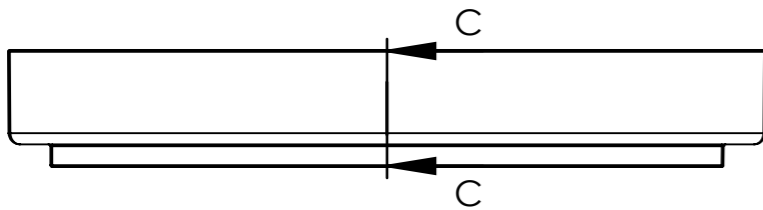
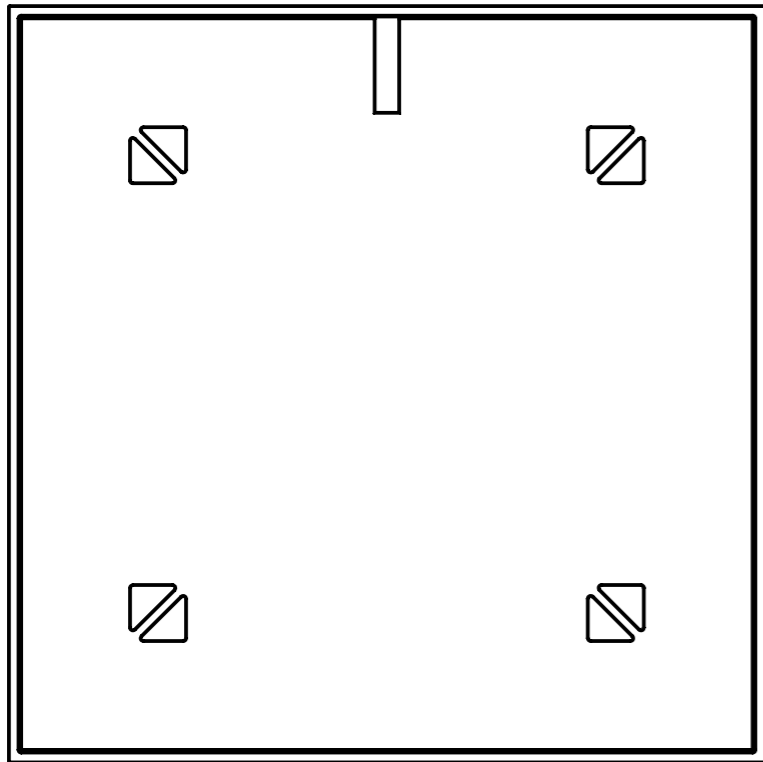
DETAIL B  
SCALE 3 : 2



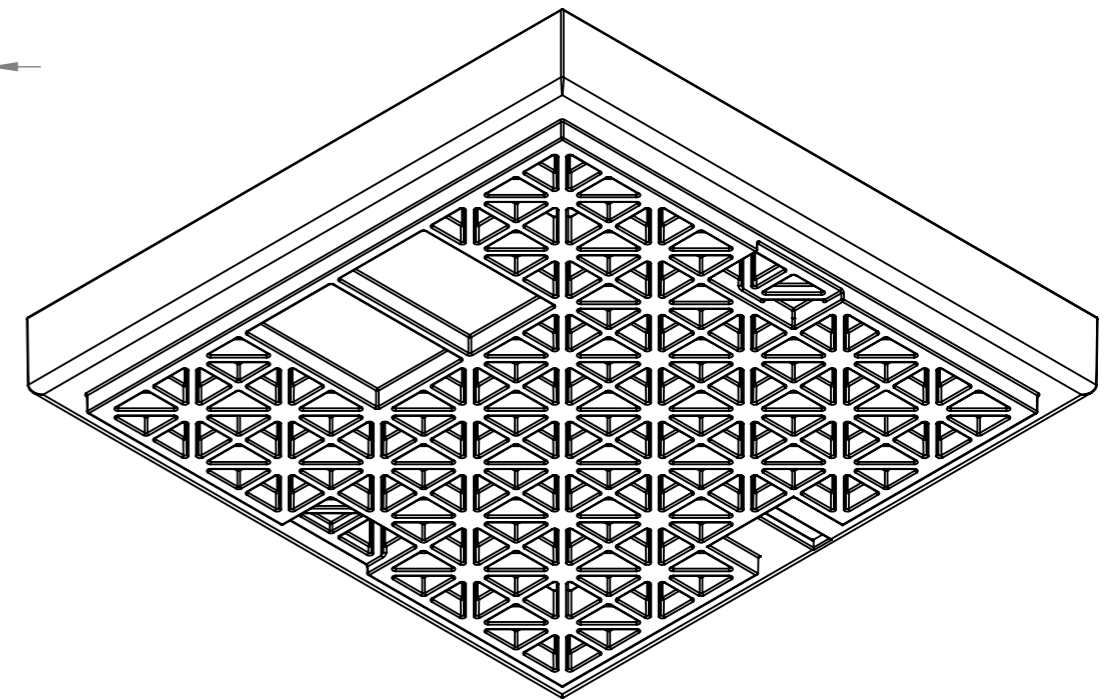
SECTION A-A



Skimmer Lids 26 Link Drive YATALA QLD 4207				DO NOT SCALE DRAWING	REVISION
DRAWN	NAME	SIGNATURE	DATE	TITLE:	
	M.P.J.		5/08/2021	PRF 206 x 20	
CHK'D					
APPV'D					
MFG					
Q.A					
			MATERIAL:	DWG NO.	206 x 20 Kit
			WEIGHT:	SCALE:1:2	A3
				SHEET 2 OF 3	



SECTION C-C



Skimmer Lids 26 Link Drive YATALA QLD 4207				DO NOT SCALE DRAWING		REVISION	
				TITLE: PSL 200 x 20			
DRAWN	NAME	SIGNATURE	DATE	DWG NO.		A3	
	M.P.J.		5/08/2021	206 x 20 Kit			
CHK'D				SCALE:1:2		SHEET 3 OF 3	
APPV'D				WEIGHT:			
MFG							
Q.A							