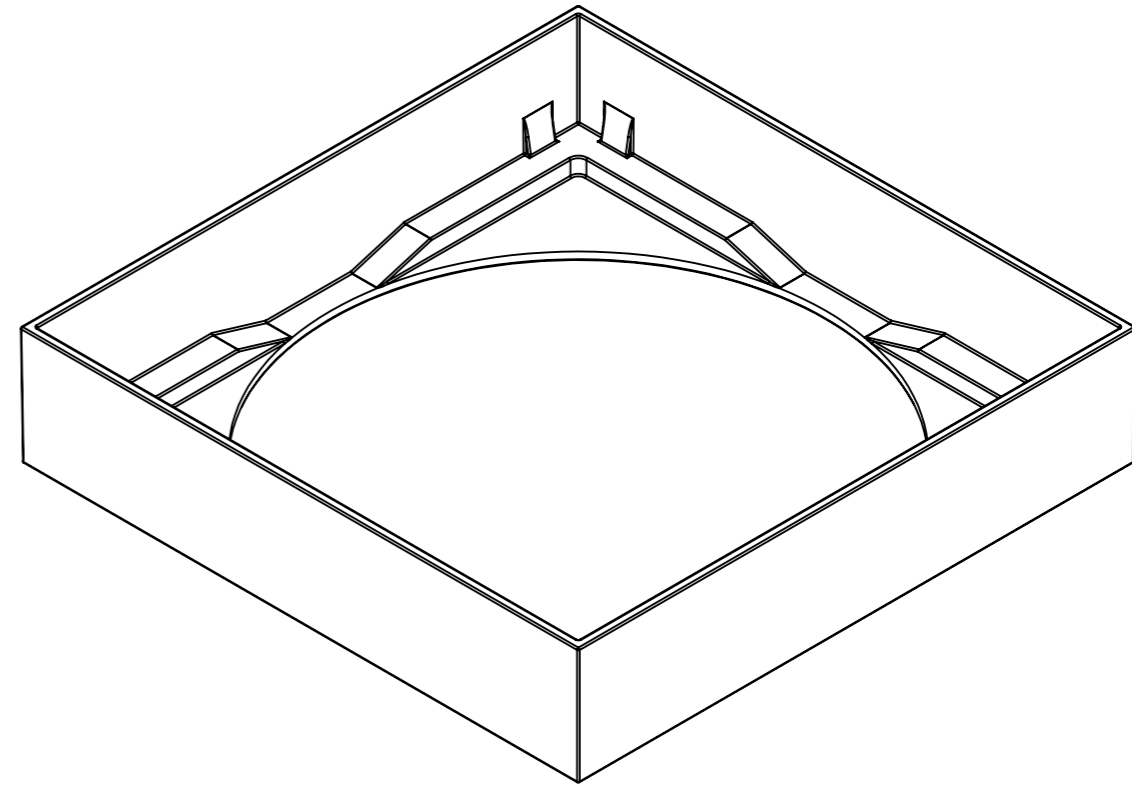
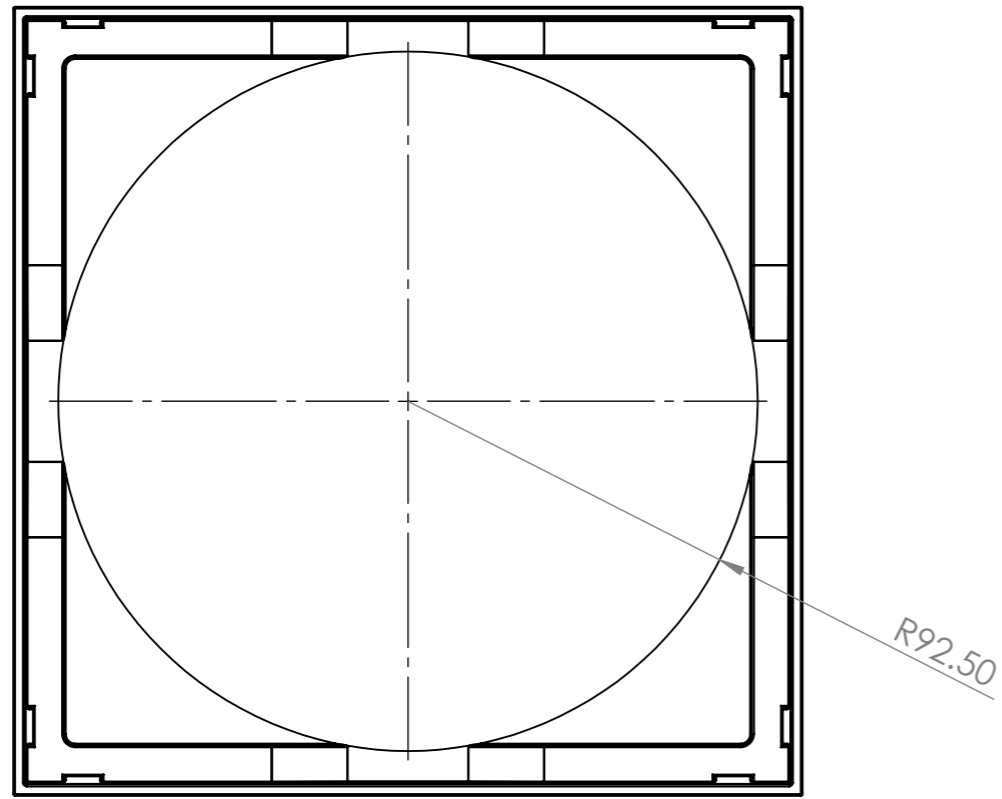
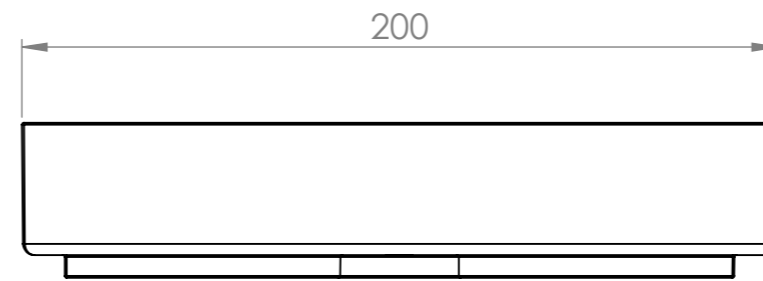
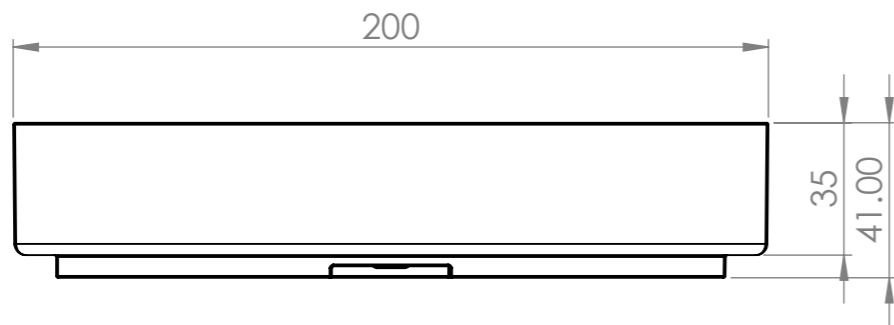
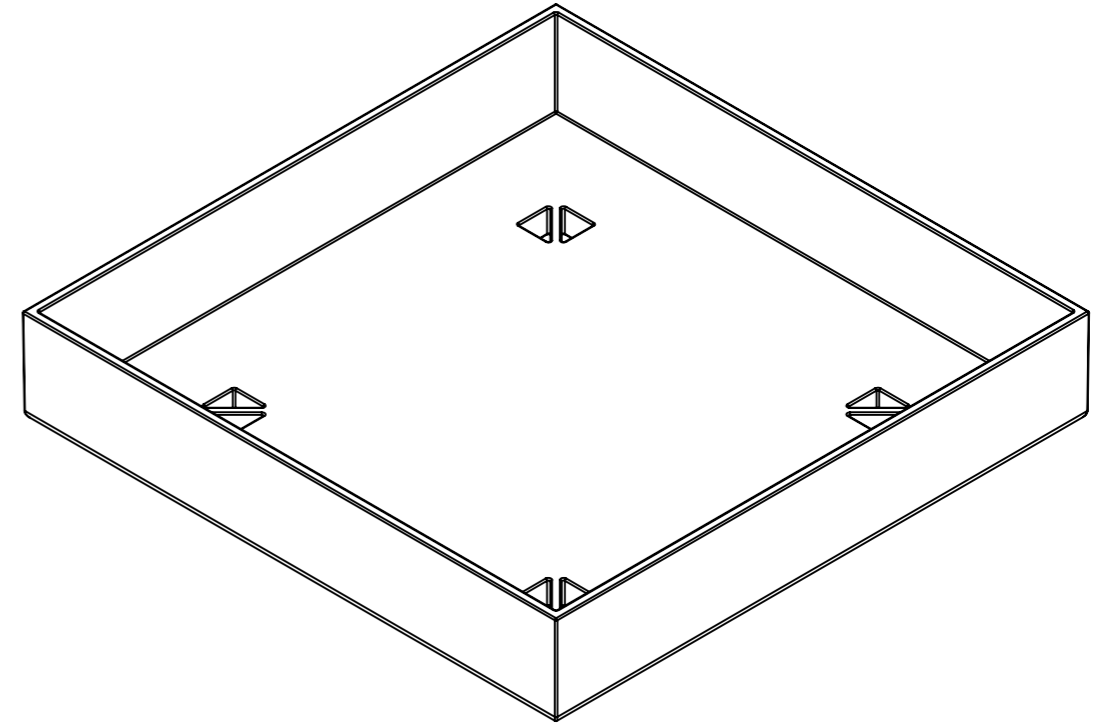
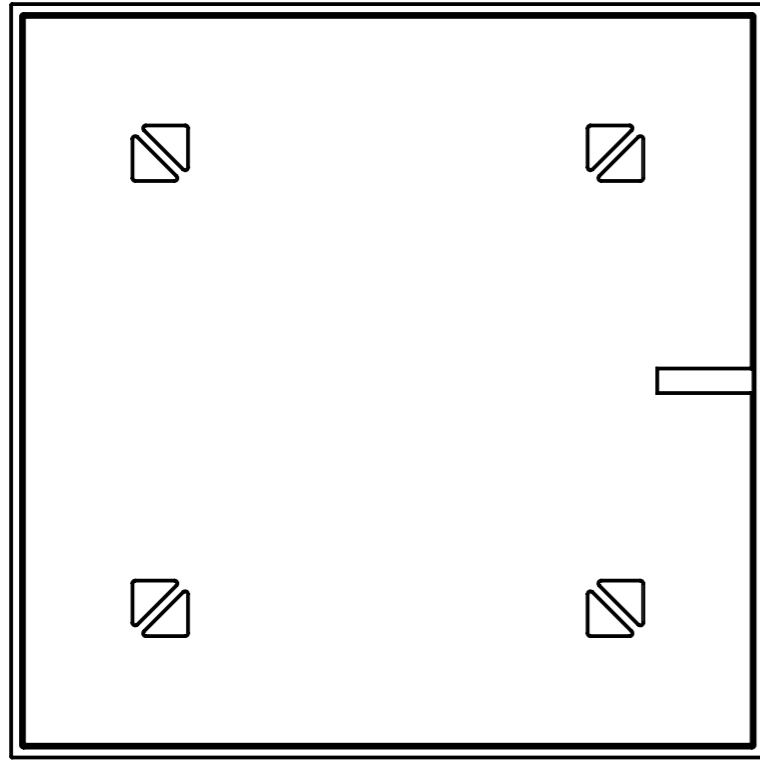


Skimmer Lids 26 Link Drive YATALA QLD 4207				DO NOT SCALE DRAWING		REVISION
DRAWN	NAME	SIGNATURE	DATE	TITLE:		
	M.P.J.		24/06/2025			
CHK'D						
APPV'D						
MFG						
Q.A				MATERIAL:	DWG NO. 206 x 30 Plastic Kit	
					A3	
				WEIGHT:	SCALE:1:2	SHEET 1 OF 3



Skimmer Lids 26 Link Drive YATALA QLD 4207				DO NOT SCALE DRAWING	REVISION
DRAWN	NAME	SIGNATURE	DATE	TITLE:	
	M.P.J.		24/06/2025		
CHK'D					
APPV'D					
MFG					
Q.A				DWG NO.	A3
				206 x 30 Plastic Kit	
			WEIGHT:	SCALE:1:2	SHEET 2 OF 3



Skimmer Lids 26 Link Drive YATALA QLD 4207				DO NOT SCALE DRAWING		REVISION	
DRAWN	NAME	SIGNATURE	DATE	TITLE:			
	M.P.J.		24/06/2025				
CHK'D							
APPV'D							
MFG							
Q.A				MATERIAL:		DWG NO. 206 x 30 Plastic Kit	
						A3	
				WEIGHT:		SCALE:1:2	
						SHEET 3 OF 3	