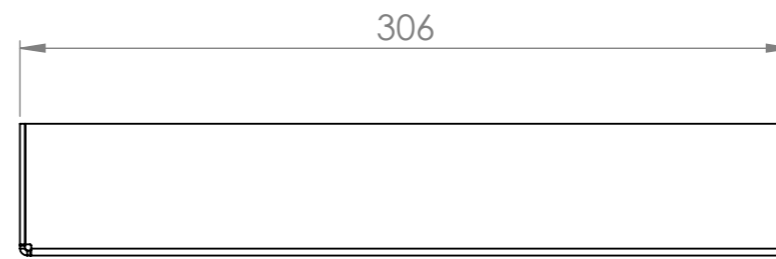
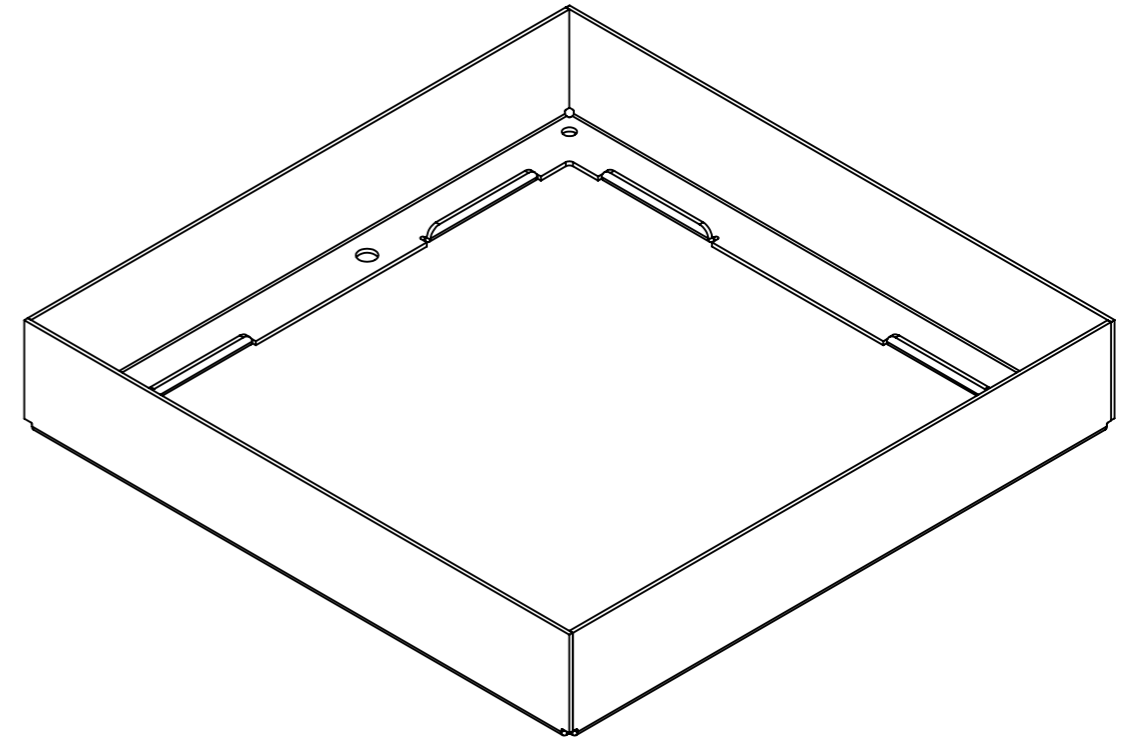
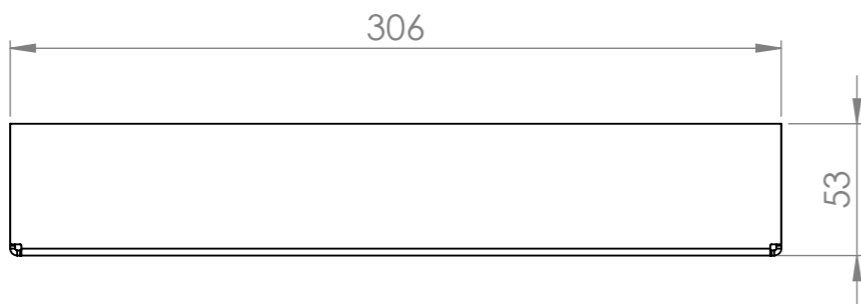
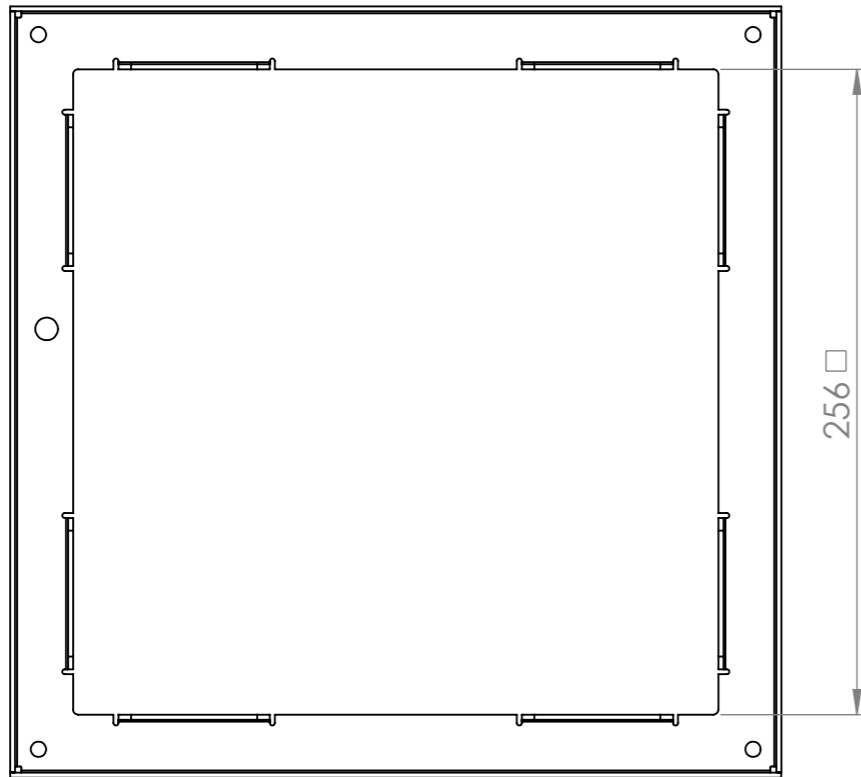
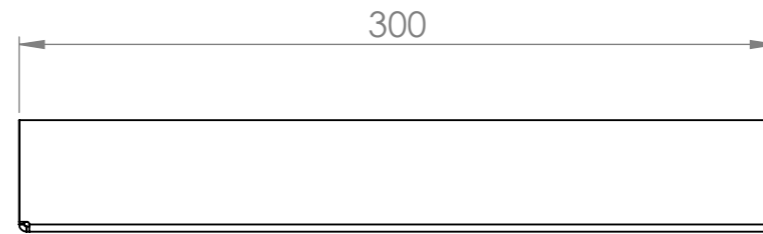
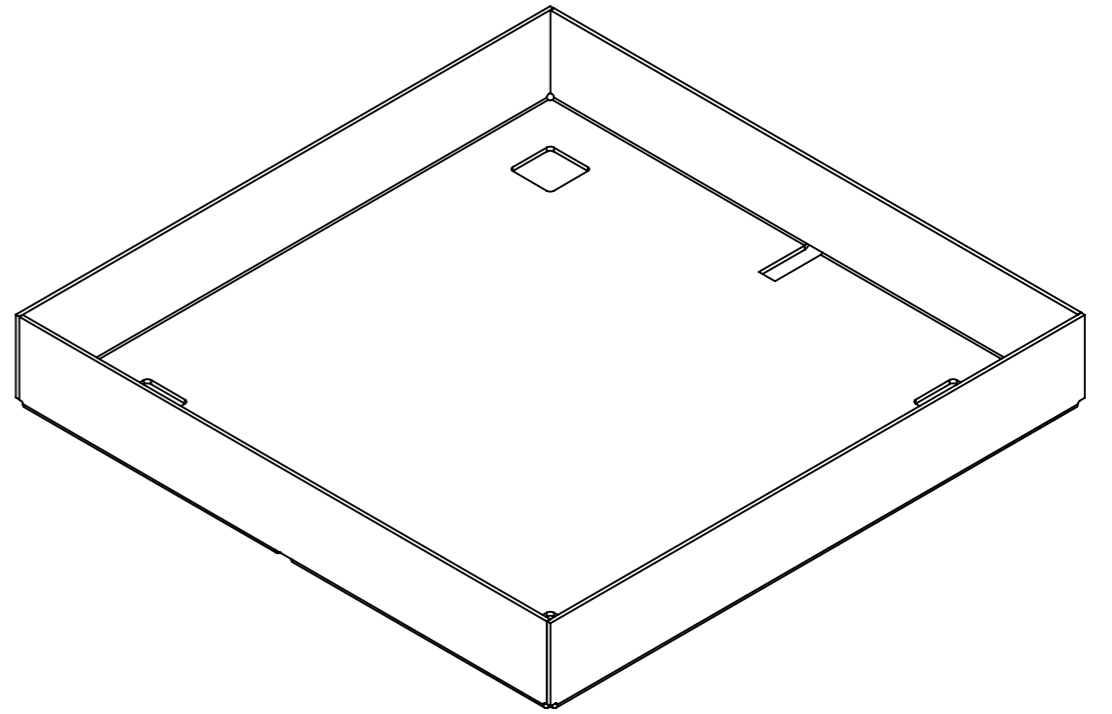
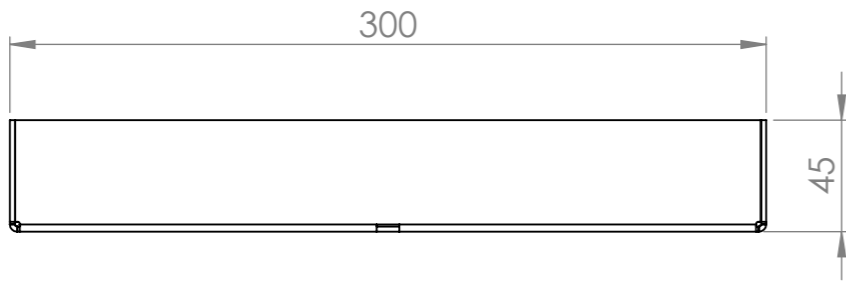
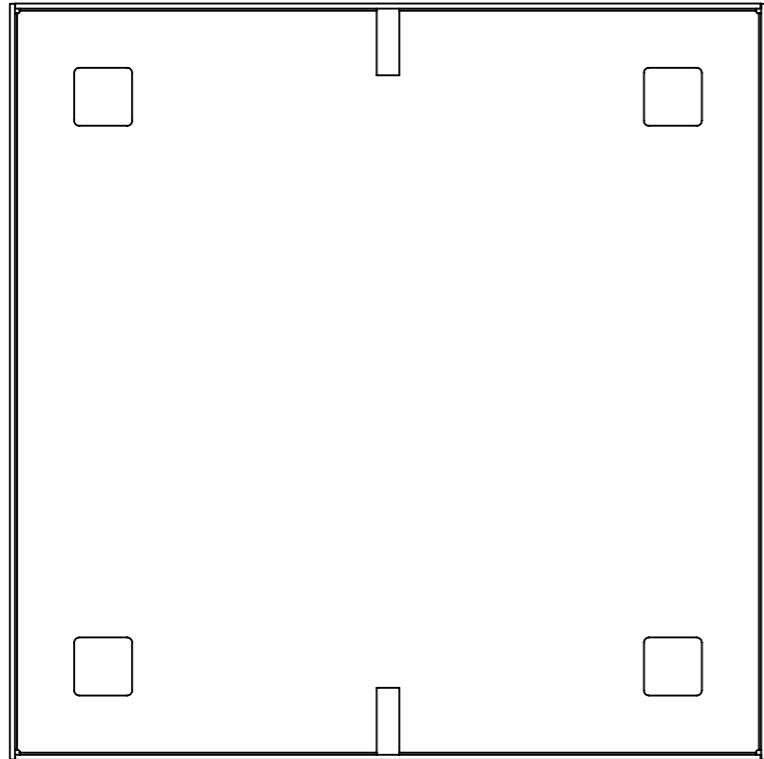


Skimmer Lids 26 Link Drive YATALA QLD 4207				DO NOT SCALE DRAWING		REVISION	
	NAME	SIGNATURE	DATE		TITLE:		
DRAWN	M.P.J.		29/02/2024				
CHK'D							
APPV'D							
MFG							
Q.A				MATERIAL:	DWG NO. 306 x 40 Mk3 kit		A3
				WEIGHT:	SCALE:1:3	SHEET 1 OF 3	



Skimmer Lids 26 Link Drive YATALA QLD 4207				DO NOT SCALE DRAWING		REVISION	
DRAWN	NAME	SIGNATURE	DATE	TITLE:			
	M.P.J.		29/02/2024				
CHK'D							
APPV'D							
MFG							
Q.A				MATERIAL:	DWG NO.		
					306 x 40 Mk3 kit		A3
				WEIGHT:	SCALE:1:3		SHEET 2 OF 3



Skimmer Lids 26 Link Drive YATALA QLD 4207				DO NOT SCALE DRAWING		REVISION
				TITLE:		
DRAWN	NAME	SIGNATURE	DATE			
	M.P.J.		29/02/2024			
CHK'D						
APPV'D						
MFG						
Q.A				MATERIAL:		
				WEIGHT:		
				DWG NO.	306 x 40 Mk3 kit	A3
				SCALE:1:3	SHEET 3 OF 3	