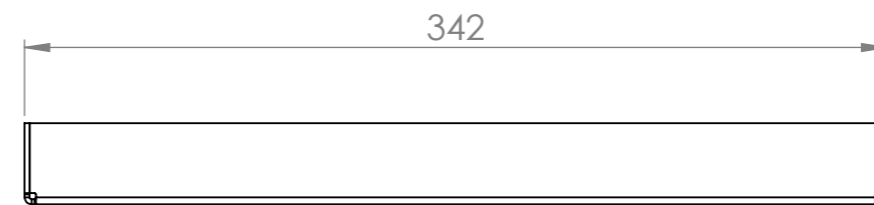
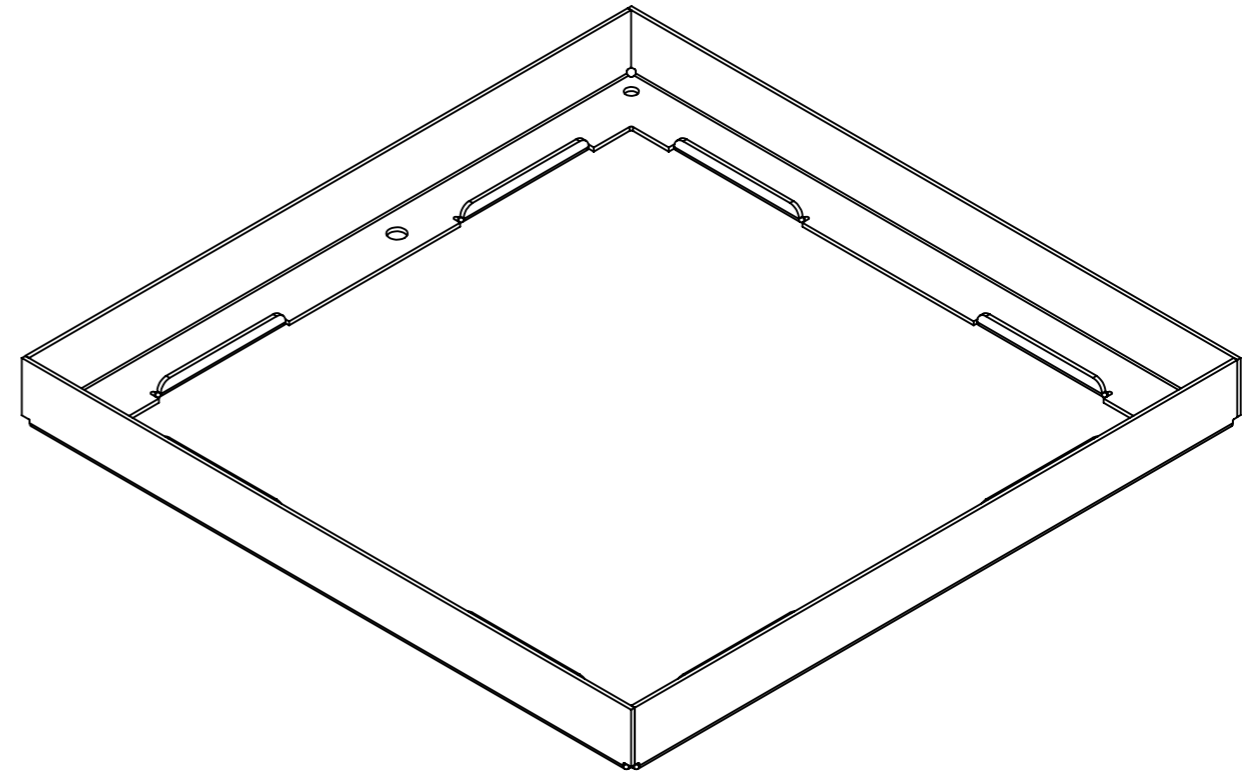
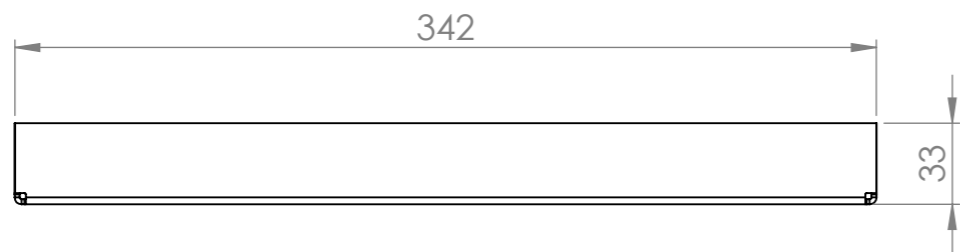
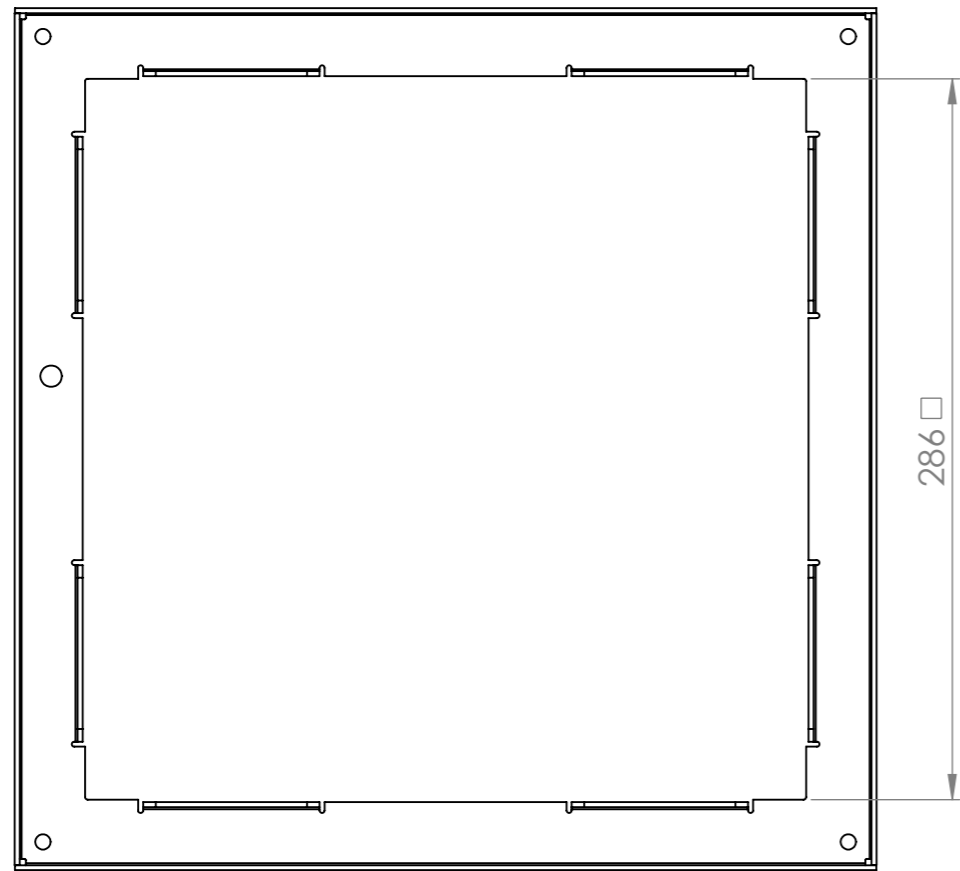
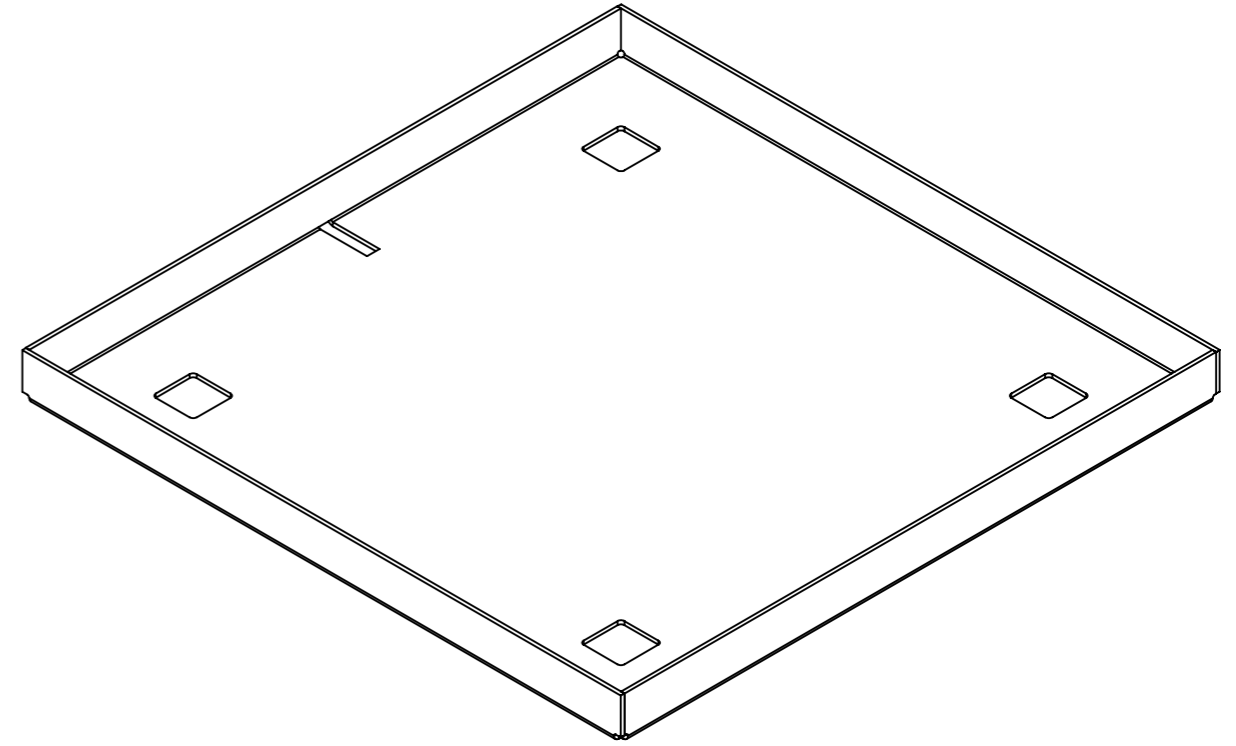
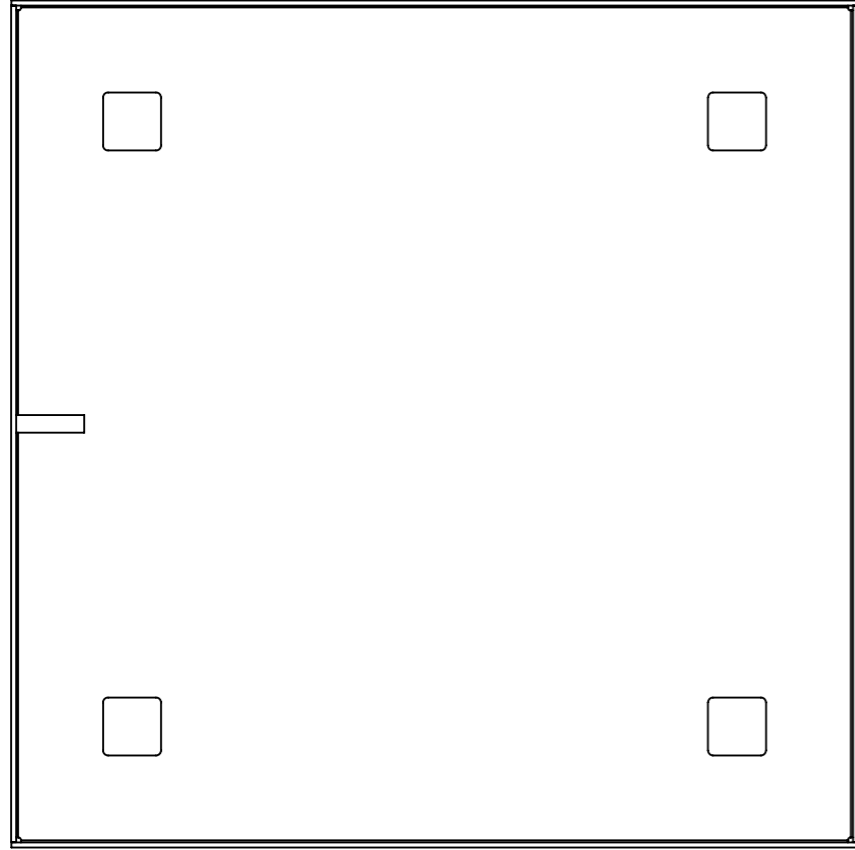


<p style="text-align: center;">Skimmer Lids 26 Link Drive YATALA QLD 4207</p>				DO NOT SCALE DRAWING		REVISION	A
				TITLE:			
DRAWN	NAME	SIGNATURE	DATE				
	M.P.J.		8/04/2025				
CHK'D							
APPV'D							
MFG							
Q.A				MATERIAL:		DWG NO.	342 x 20 Mk3 kit
						SCALE:1:3	A3
				WEIGHT:		SHEET 1 OF 3	



Skimmer Lids 26 Link Drive YATALA QLD 4207				DO NOT SCALE DRAWING		REVISION	A
DRAWN	M.P.J.	SIGNATURE	8/04/2025	TITLE:			
CHK'D							
APPV'D							
MFG							
Q.A				MATERIAL:	DWG NO.	342 x 20 Mk3 kit	A3
				WEIGHT:	SCALE:1:3	SHEET 2 OF 3	



Skimmer Lids 26 Link Drive YATALA QLD 4207				DO NOT SCALE DRAWING		REVISION A	
	NAME	SIGNATURE	DATE		TITLE:		
DRAWN	M.P.J.		8/04/2025				
CHK'D							
APPV'D							
MFG							
Q.A				MATERIAL:	DWG NO. 342 x 20 Mk3 kit		A3
				WEIGHT:	SCALE:1:3	SHEET 3 OF 3	