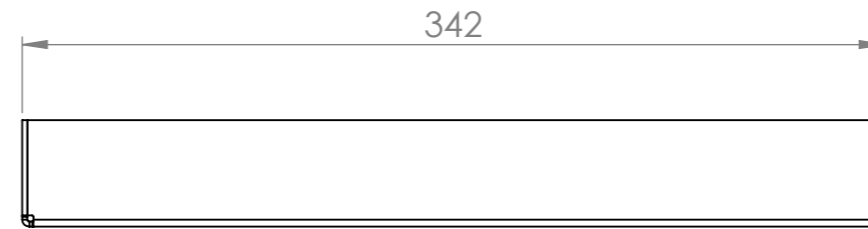
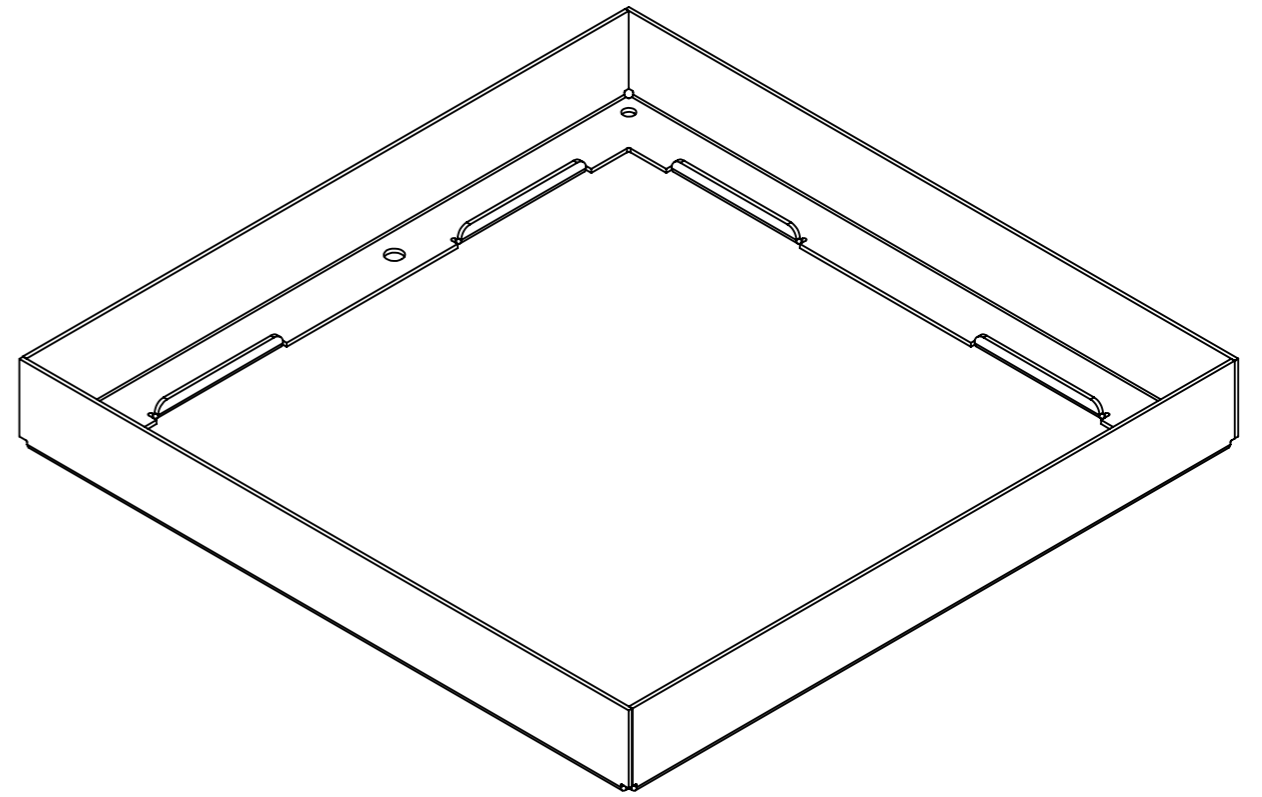
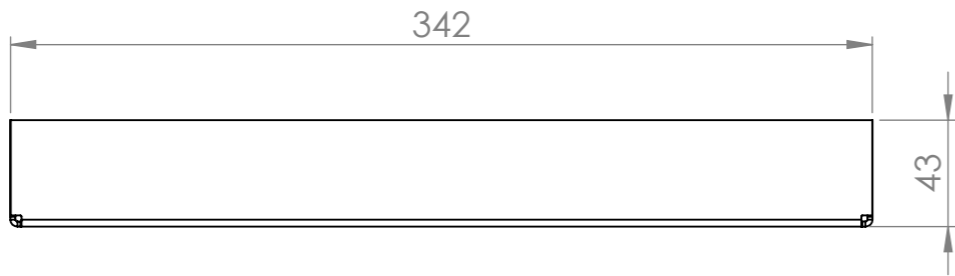
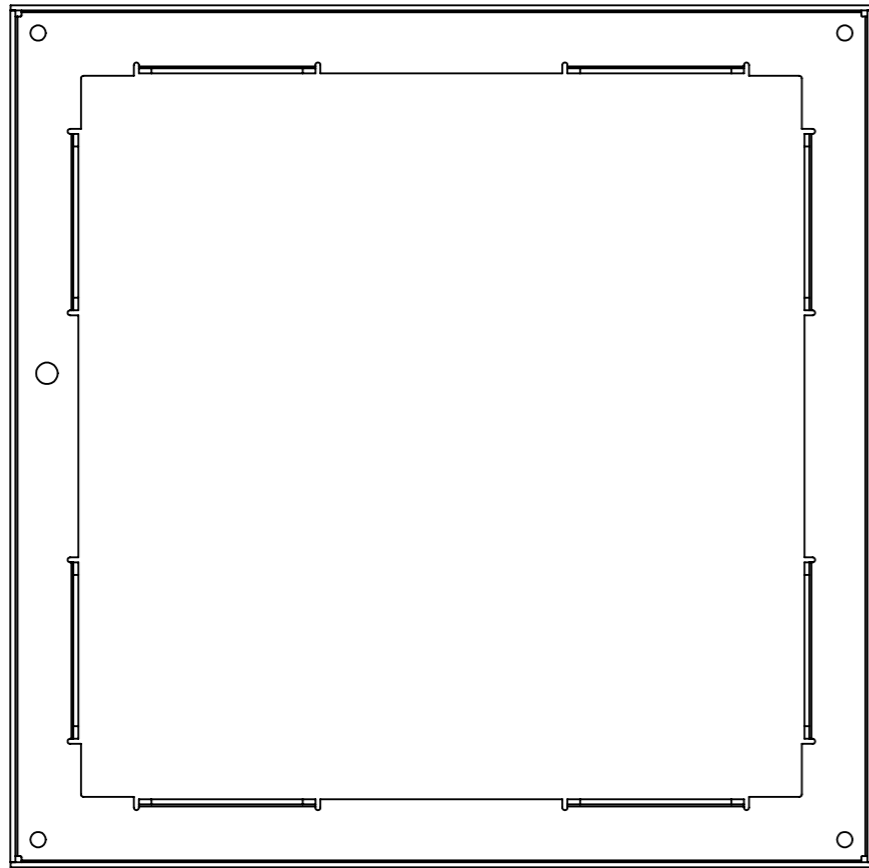
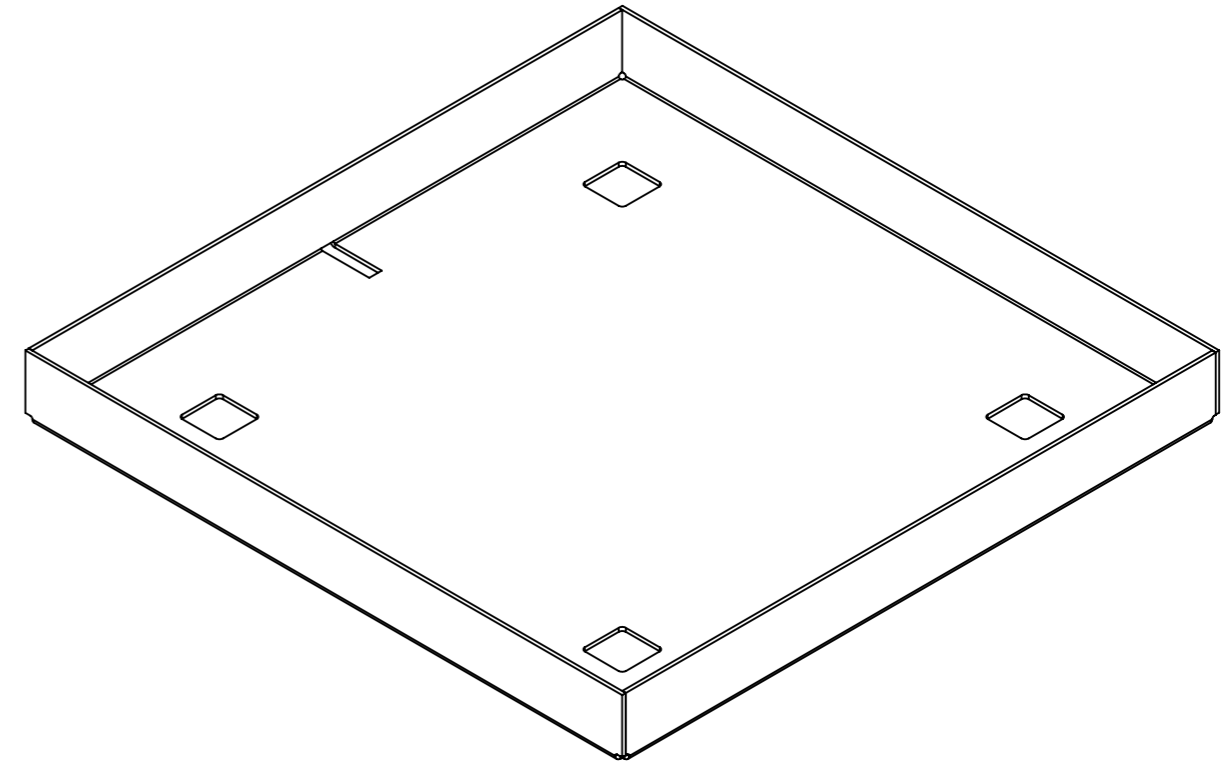
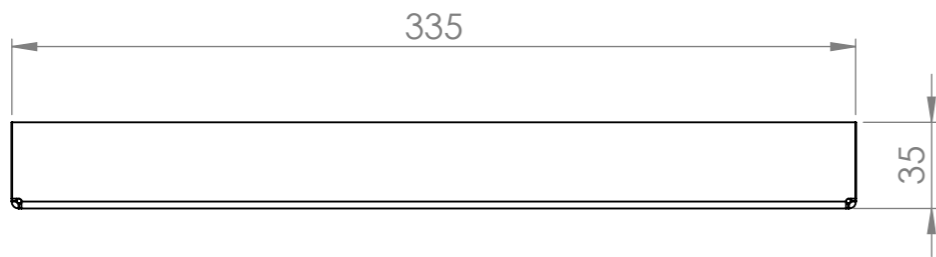
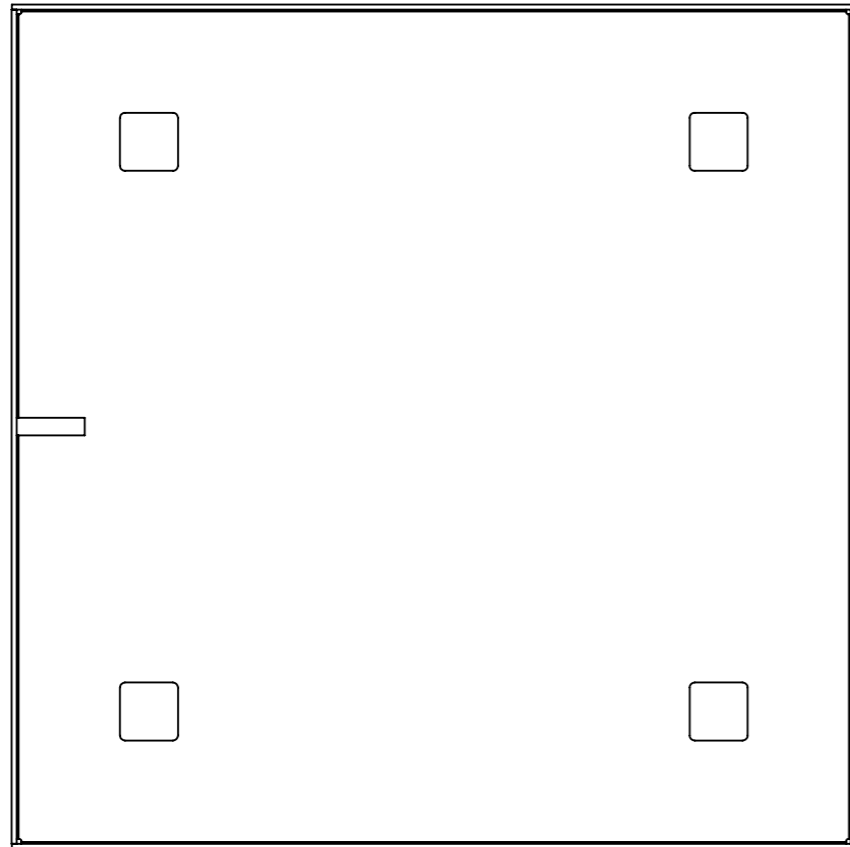


Skimmer Lids 26 Link Drive YATALA QLD 4207				DO NOT SCALE DRAWING		REVISION	A
	NAME	SIGNATURE	DATE			TITLE:	
DRAWN	M.P.J.		8/04/2025				
CHK'D							
APPV'D							
MFG							
Q.A				MATERIAL:		DWG NO.	342 x 30 Mk3 kit
							A3
				WEIGHT:		SCALE:1:3	SHEET 1 OF 3



Skimmer Lids 26 Link Drive YATALA QLD 4207				DO NOT SCALE DRAWING		REVISION	A
DRAWN	M.P.J.	SIGNATURE	8/04/2025	DATE	TITLE:		
CHK'D							
APPV'D							
MFG							
Q.A				MATERIAL:	DWG NO.	342 x 30 Mk3 kit	
				WEIGHT:	SCALE:1:3	SHEET 2 OF 3	
						A3	



Skimmer Lids 26 Link Drive YATALA QLD 4207				DO NOT SCALE DRAWING		REVISION	A
	NAME	SIGNATURE	DATE			TITLE:	
DRAWN	M.P.J.		8/04/2025				
CHK'D							
APPV'D							
MFG							
Q.A				MATERIAL:		DWG NO.	342 x 30 Mk3 kit
							A3
				WEIGHT:		SCALE:1:3	SHEET 3 OF 3